



**PRO-CELL CO., LTD.**

# **SPECIFICATION FOR APPROVAL**

**Customer :**

**Model No. : PAN-N08**

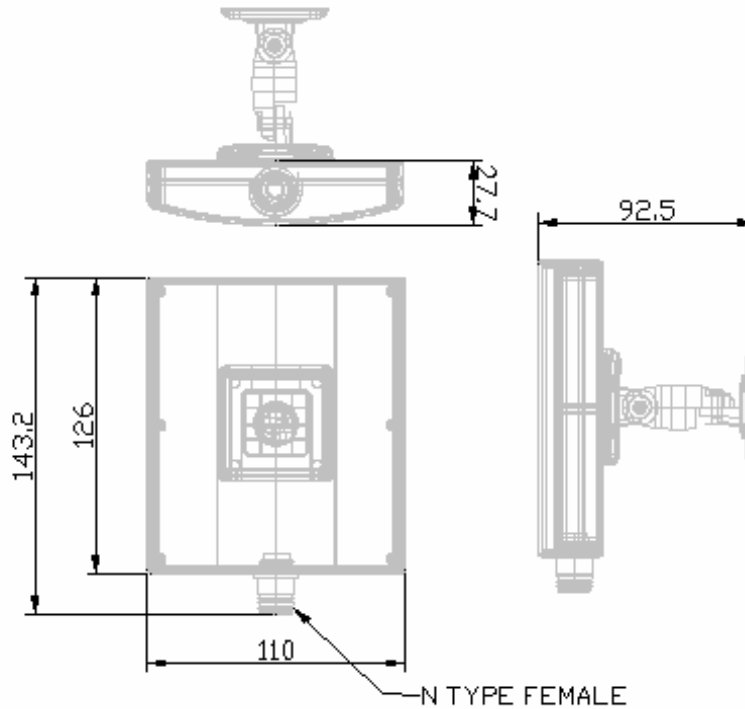
**Description : 5.1 ~ 5.835GHz PANEL ANTENNA**

**Date : 2006/10/23**

**Rev : 1**



# PRO-CELL CO., LTD.



## Electrical Specifications:

Frequency Range :	5.1~ 5.835GHz
VSWR :	$\leq 2.0$
Impedance :	$50\Omega \pm 5\Omega$
Gain :	12 dBi
Polarization :	Vertical
Power Handling :	10 Watt
Beam Width :	H: $36^\circ$ / E: $33^\circ$

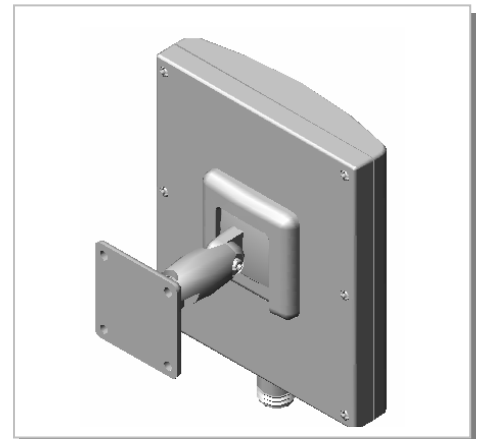
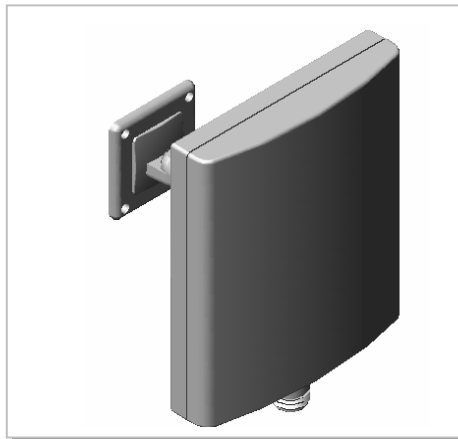
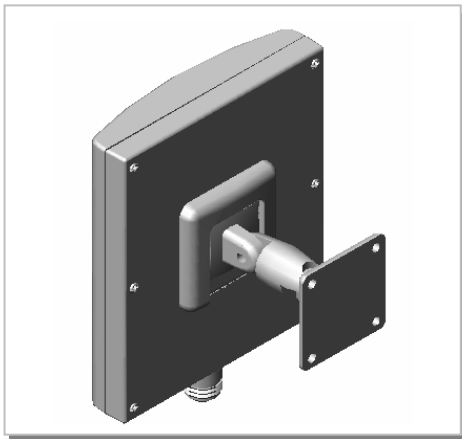
## Mechanical Specifications:

Connector :	N Female
Operation Temp. :	$-30^\circ\text{C} \sim +60^\circ\text{C}$
Material :	Radome: ABS Mount: ABS
Dimension (L*W*H) :	143.2*110*27.7 mm
Weight :	$140\text{g} \pm 10\text{g}$ (w/ mount)
Color :	COOL GRAY 1C



**PRO-CELL CO., LTD.**

**3D Illustration**



**PRO-CELL CO., LTD.**

No.6, Lane 133, Sec.1, Guo-Ji Road, Ta-yuan Hsiang, Taoyuan, Taiwan. R.O.C.

Tel: 886-3-3858288

Fax: 886-3-3858289

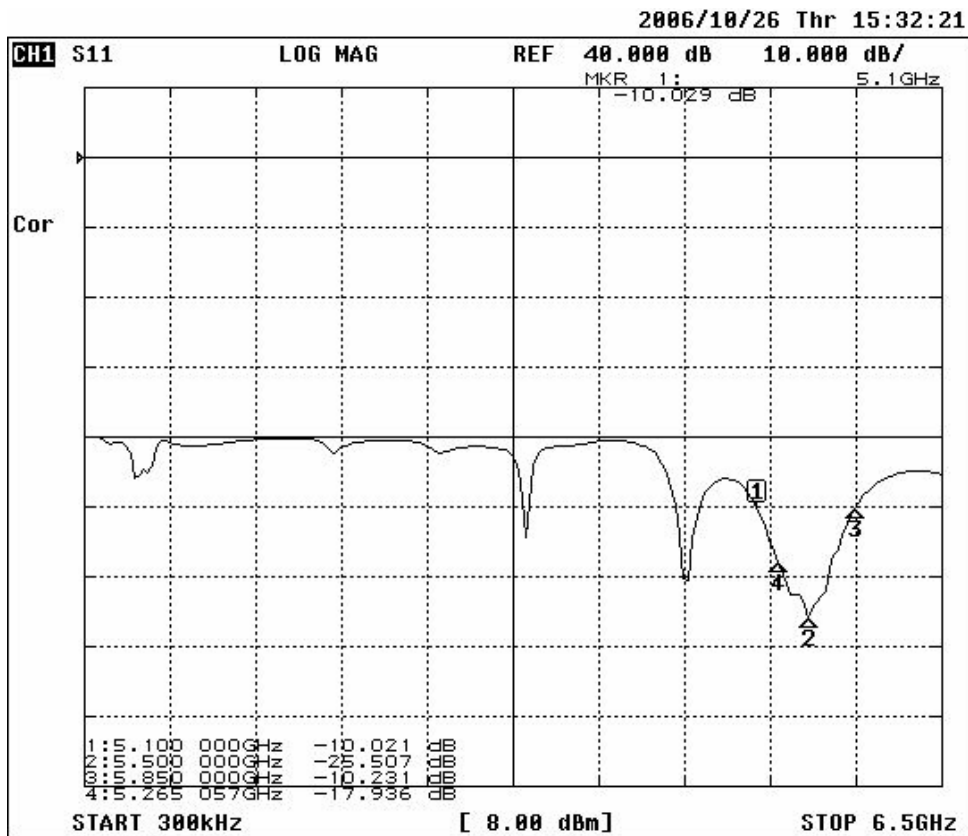
E-mail: [sales@antenna.com.tw](mailto:sales@antenna.com.tw)

<http://www.antenna.com.tw>



PRO-CELL CO., LTD.

**RETURN LOSS**



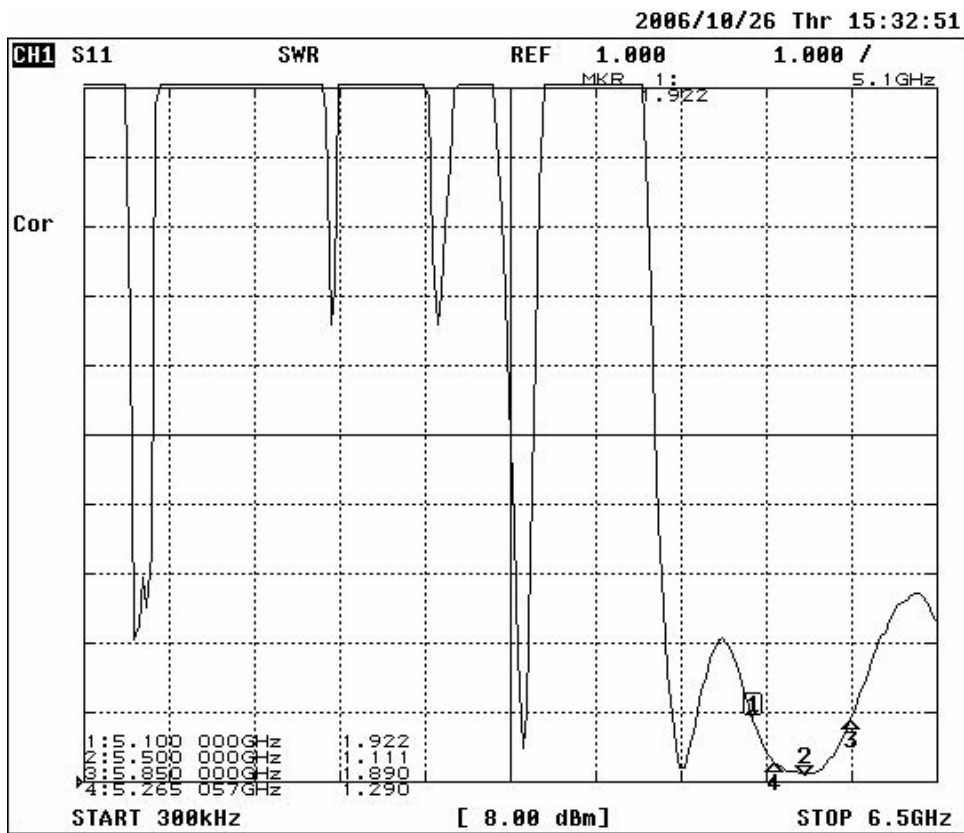
PRO-CELL CO., LTD.

No.6, Lane 133, Sec.1, Guo-Ji Road, Ta-yuan Hsiang, Taoyuan, Taiwan, R.O.C.  
Tel: 886-3-3858288 Fax: 886-3-3858289  
E-mail: [sales@antenna.com.tw](mailto:sales@antenna.com.tw) <http://www.antenna.com.tw>



# PRO-CELL CO., LTD.

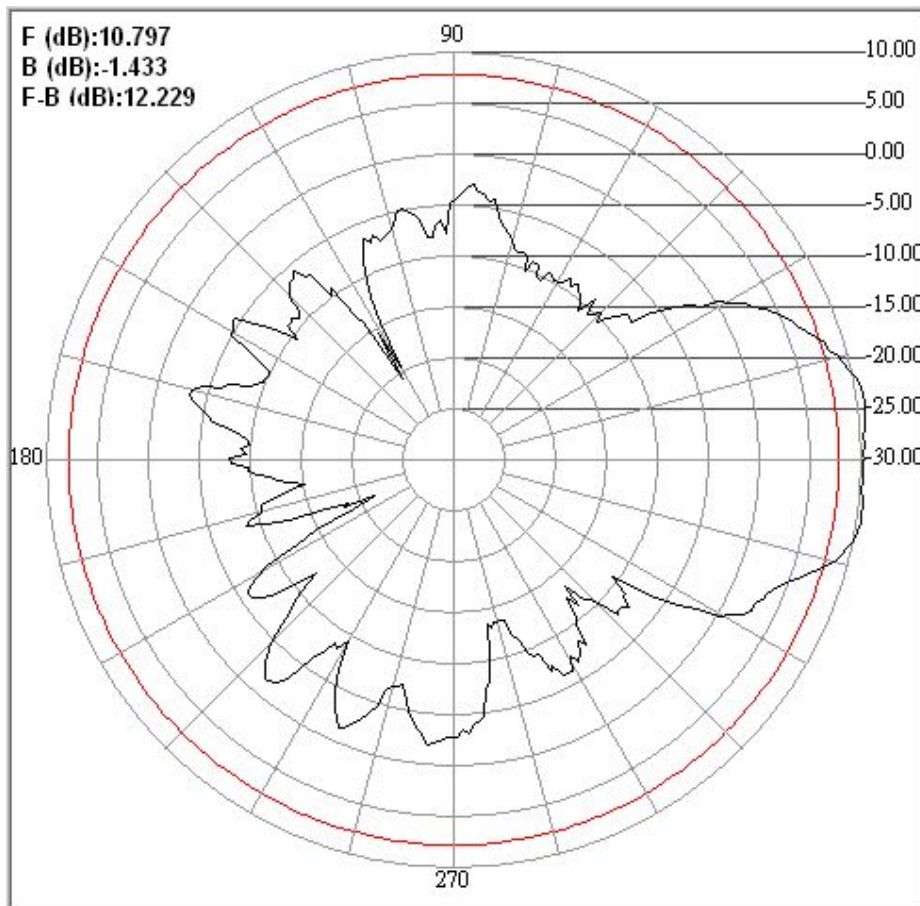
## SWR





**PRO-CELL CO., LTD.**

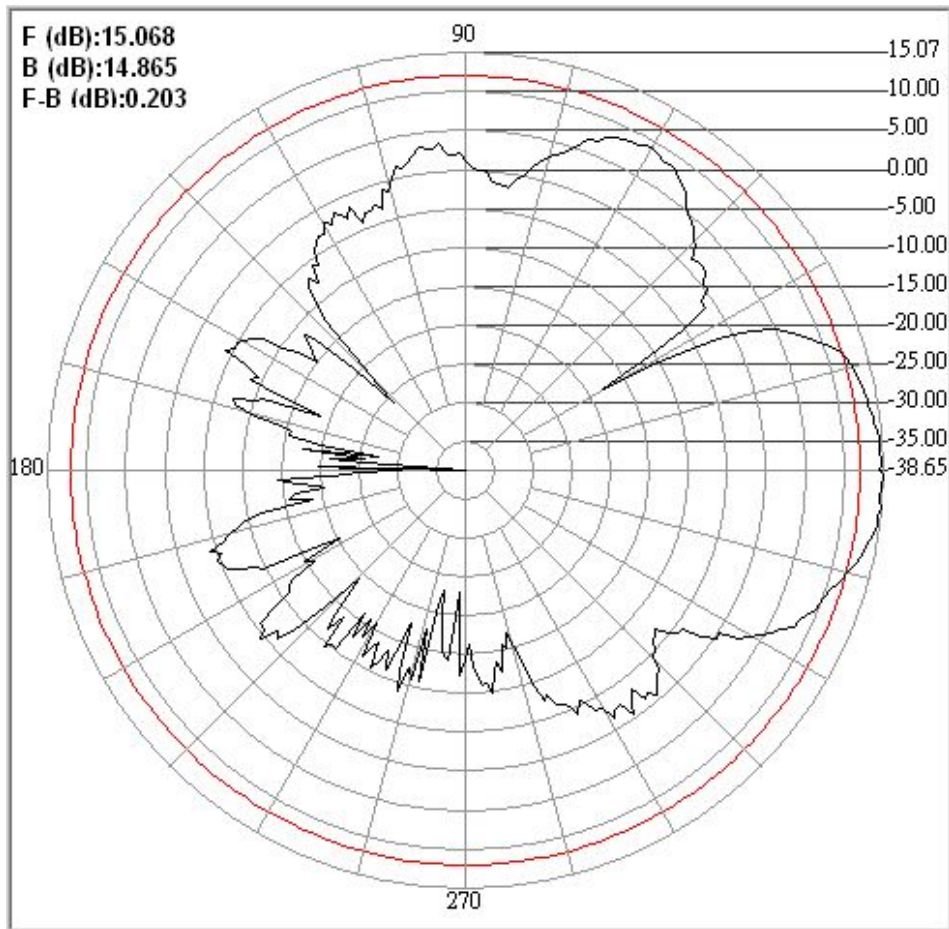
**H-PLANE**





**PRO-CELL CO., LTD.**

**E-PLANE**



**PRO-CELL CO., LTD.**

No.6, Lane 133, Sec.1, Guo-Ji Road, Ta-yuan Hsiang, Taoyuan, Taiwan. R.O.C.

Tel: 886-3-3858288

Fax: 886-3-3858289

E-mail: [sales@antenna.com.tw](mailto:sales@antenna.com.tw)

<http://www.antenna.com.tw>