



PRO-CELL CO., LTD.

SPECIFICATION FOR APPROVAL

Customer :

Model No. : PAA-X01

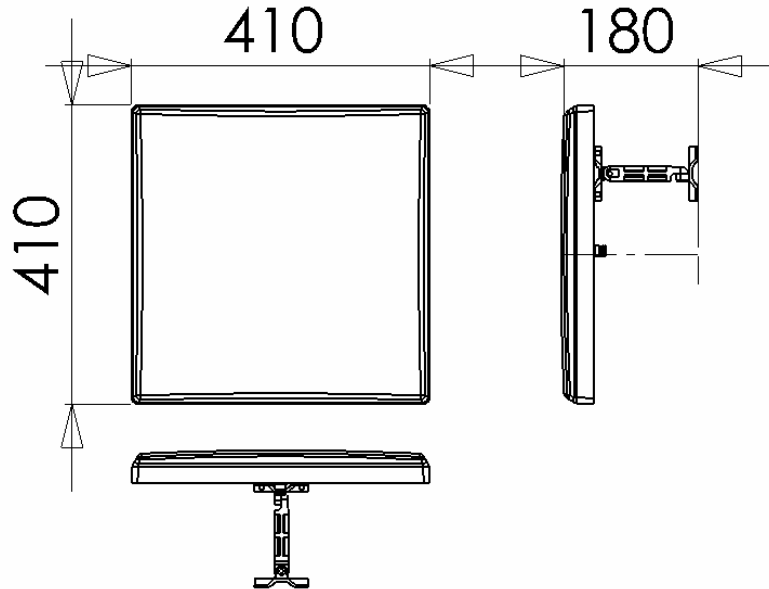
Description : 860~960MHz PANEL ANTENNA

Date : 2008/10/08

Rev : 1



PRO-CELL CO., LTD.



Electrical Specifications:

Frequency Range :	860~960MHz
VSWR :	≤ 2.0
Impedance :	$50\Omega \pm 5\Omega$
Gain :	12 dBi
Polarization :	Vertical
Power Handling :	10 Watt
Beam Width :	H: 42.1 / E: 38.1

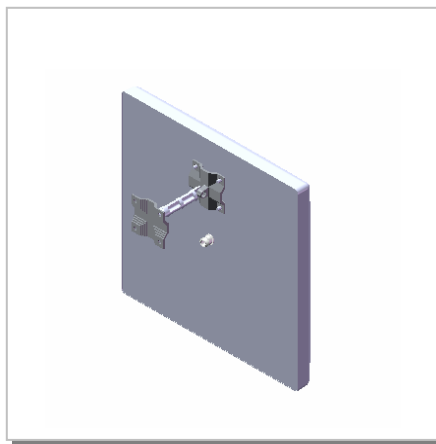
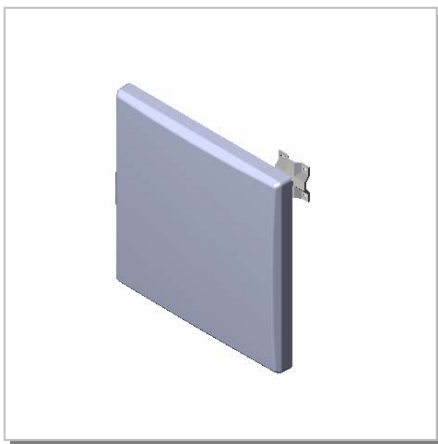
Mechanical Specifications:

Connector :	N Female
Operation Temp. :	$-30^{\circ}\text{C} \sim +60^{\circ}\text{C}$
Material :	Radome: ABS Mount: Zinc Alloy
Dimension (L*W*H) :	410*410*180 mm
Weight :	$1350\text{g} \pm 20\text{g}$ (w/ mount)
Color :	COOL GRAY 5C



PRO-CELL CO., LTD.

3D Illustration



PRO-CELL CO., LTD.

No.6, Lane 133, Sec.1, Guo-Ji Road, Ta-yuan Hsiang, Taoyuan, Taiwan. R.O.C.

Tel: 886-3-3858288

Fax: 886-3-3858289

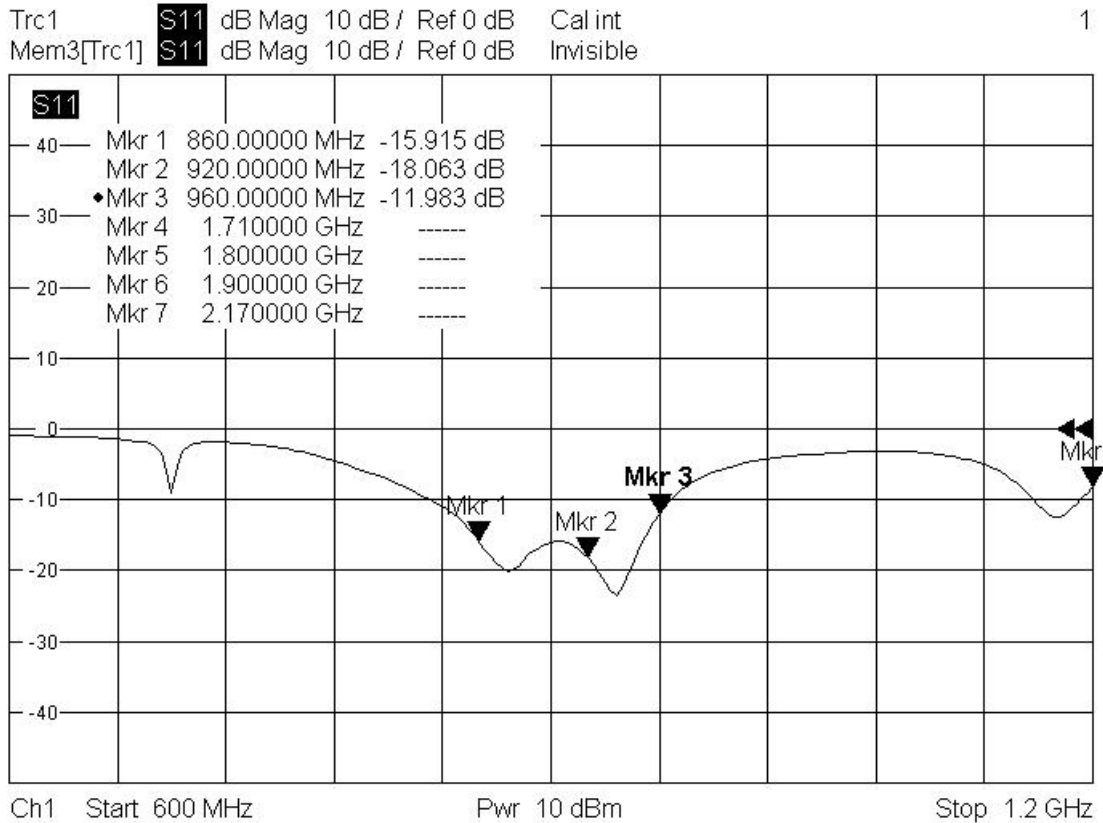
E-mail: sales@antenna.com.tw

<http://www.antenna.com.tw>



PRO-CELL CO., LTD.

RETURN LOSS



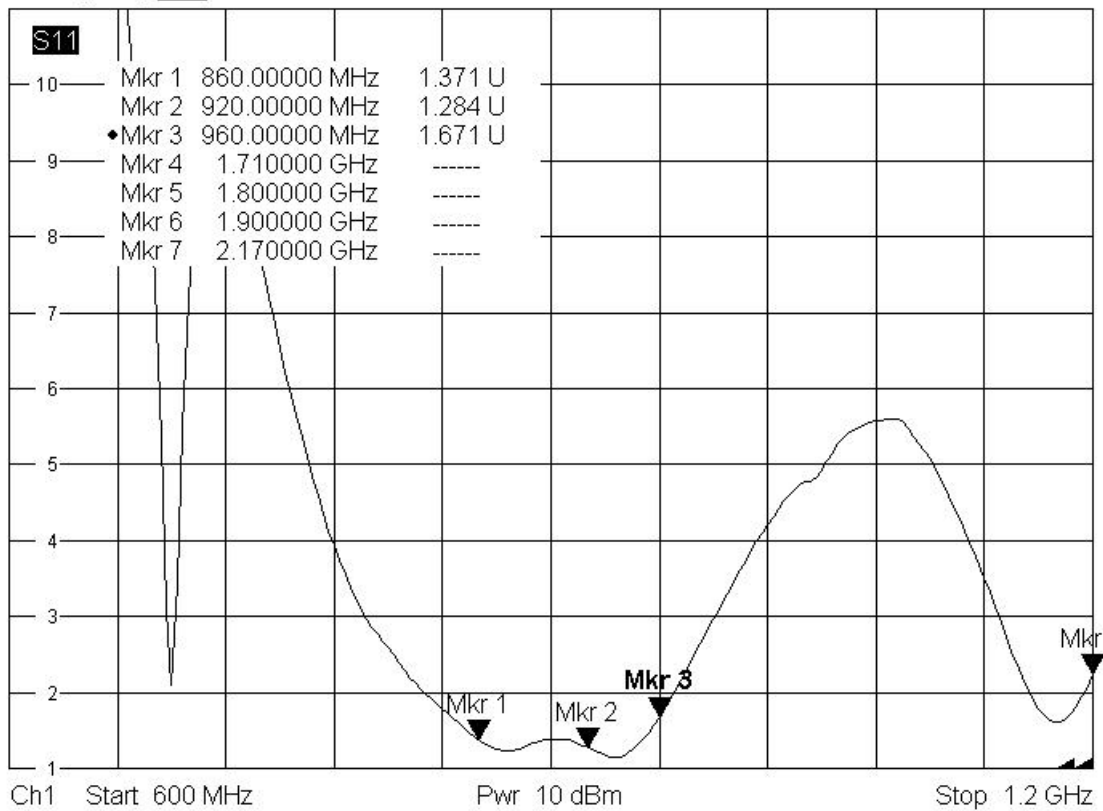
7/4/2008, 9:26 AM



PRO-CELL CO., LTD.

SWR

Trc1 S11 SWR 1 U / Ref 1 U Cal int
Mem3[Trc1] S11 SWR 1 U / Ref 1 U Invisible

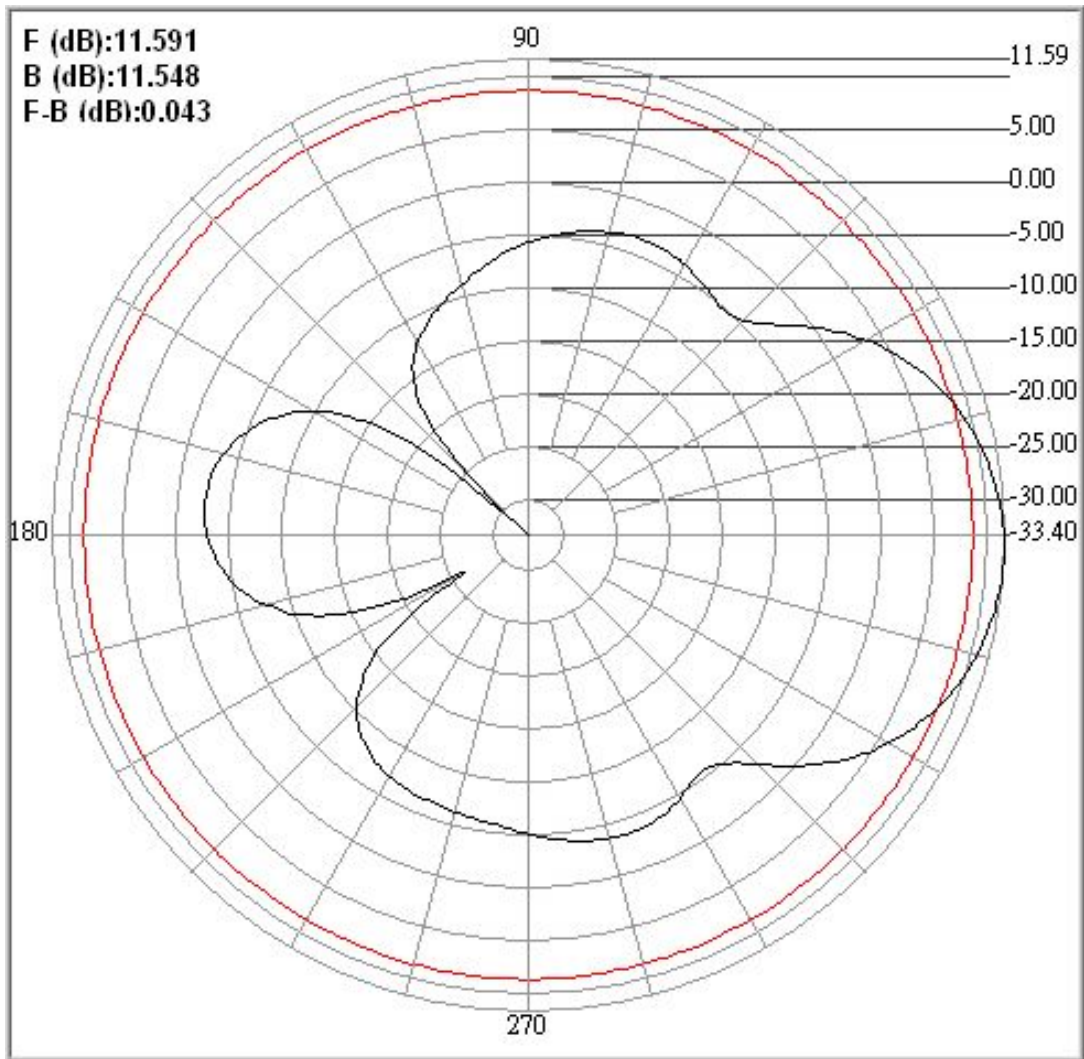


7/4/2008, 9:27 AM



PRO-CELL CO., LTD.

H-PLANE



PRO-CELL CO., LTD.

No.6, Lane 133, Sec.1, Guo-Ji Road, Ta-yuan Hsiang, Taoyuan, Taiwan. R.O.C.

Tel: 886-3-3858288

Fax: 886-3-3858289

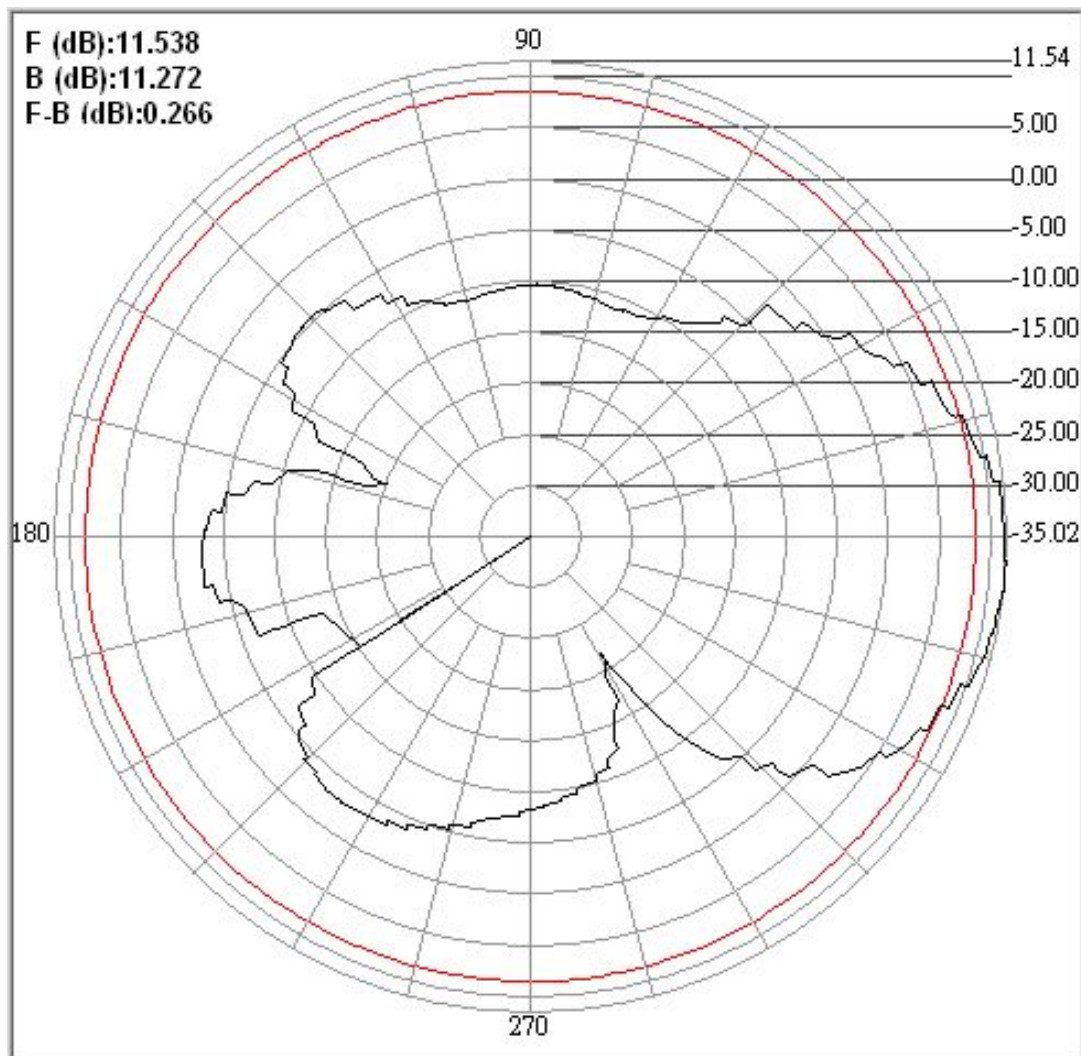
E-mail: sales@antenna.com.tw

<http://www.antenna.com.tw>



PRO-CELL CO., LTD.

E-PLANE



PRO-CELL CO., LTD.

No.6, Lane 133, Sec.1, Guo-Ji Road, Ta-yuan Hsiang, Taoyuan, Taiwan. R.O.C.

Tel: 886-3-3858288

Fax: 886-3-3858289

E-mail: sales@antenna.com.tw

<http://www.antenna.com.tw>