



PRO-CELL CO., LTD.

SPECIFICATION FOR APPROVAL

Customer :

Model No.: PAA-001

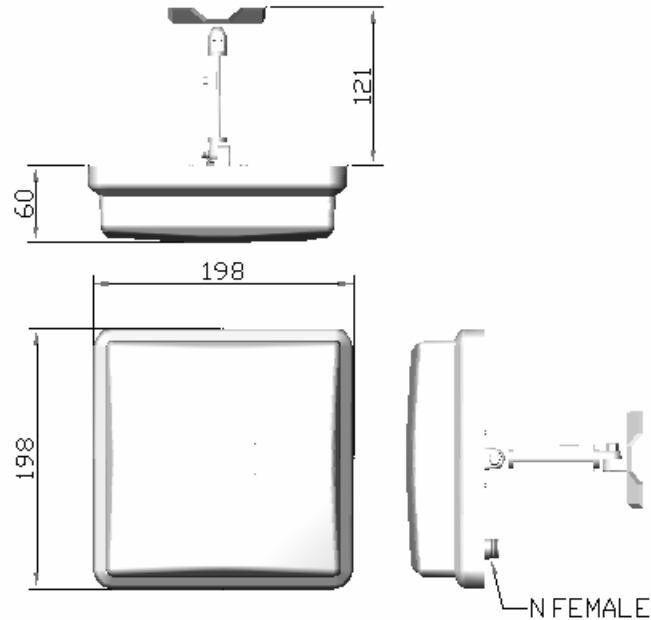
Description : 860~930MHz PANEL ANTENNA

Date : 2006/11/07

Rev : 1



PRO-CELL CO., LTD.



Electrical Specifications:

Frequency Range :	860~930MHz
VSWR :	≤ 2.0
Impedance :	$50\Omega \pm 5\Omega$
Forward Gain :	8dBi
Polarization :	Vertical
Power Handling :	10 Watt
BEAM WIDTH :	H: 76° / E: 61.8°

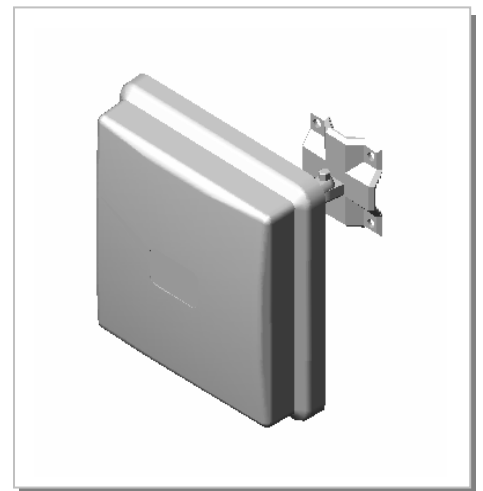
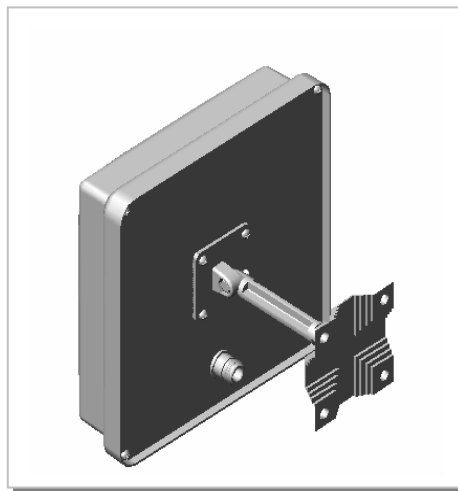
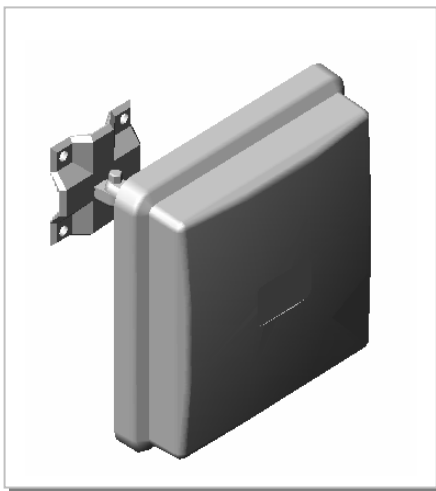
Mechanical Specifications:

Connector :	N Female
Operation Temp :	$-30^\circ\text{C} \sim +60^\circ\text{C}$
Material :	Radome: ABS Base: Mount: Zinc alloy
Dimension (L*W*H) :	198*198*60 mm(with mount)
Weight :	950g \pm 20g(with mount)
Color :	Cool Gray 5C



PRO-CELL CO., LTD.

3D Illustration



PRO-CELL CO., LTD.

No.6, Lane 133, Sec.1, Guo-Ji Road, Ta-yuan Hsiang, Taoyuan, Taiwan. R.O.C.

Tel: +886-3-3858288

Fax: +886-3-3858289

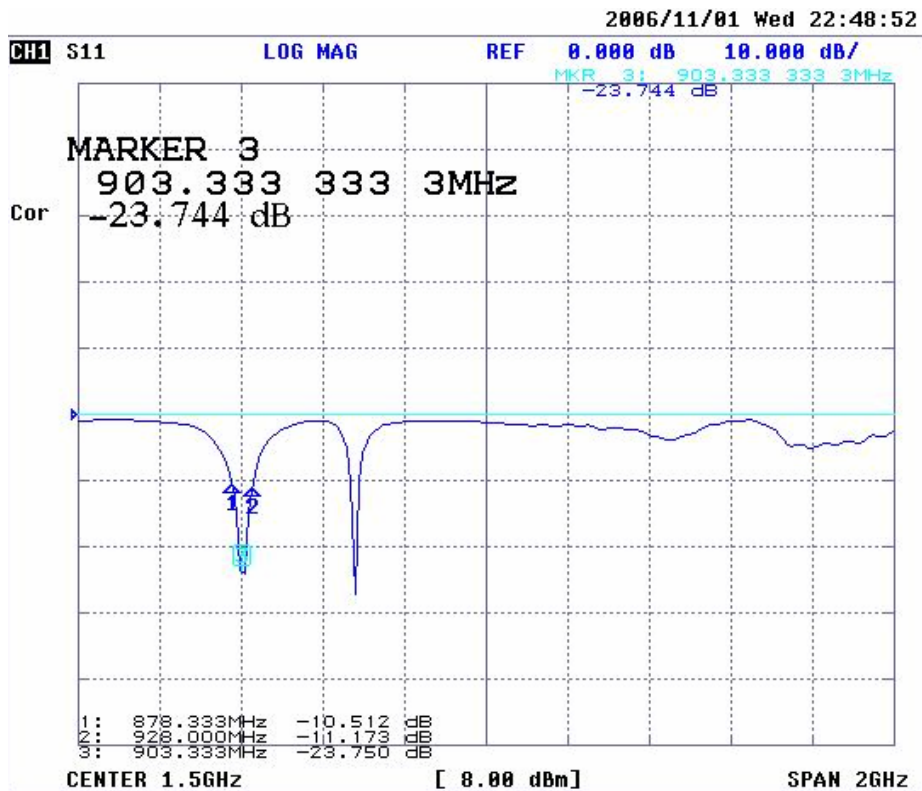
E-mail: sales@antenna.com.tw

<http://www.antenna.com.tw>



PRO-CELL CO., LTD.

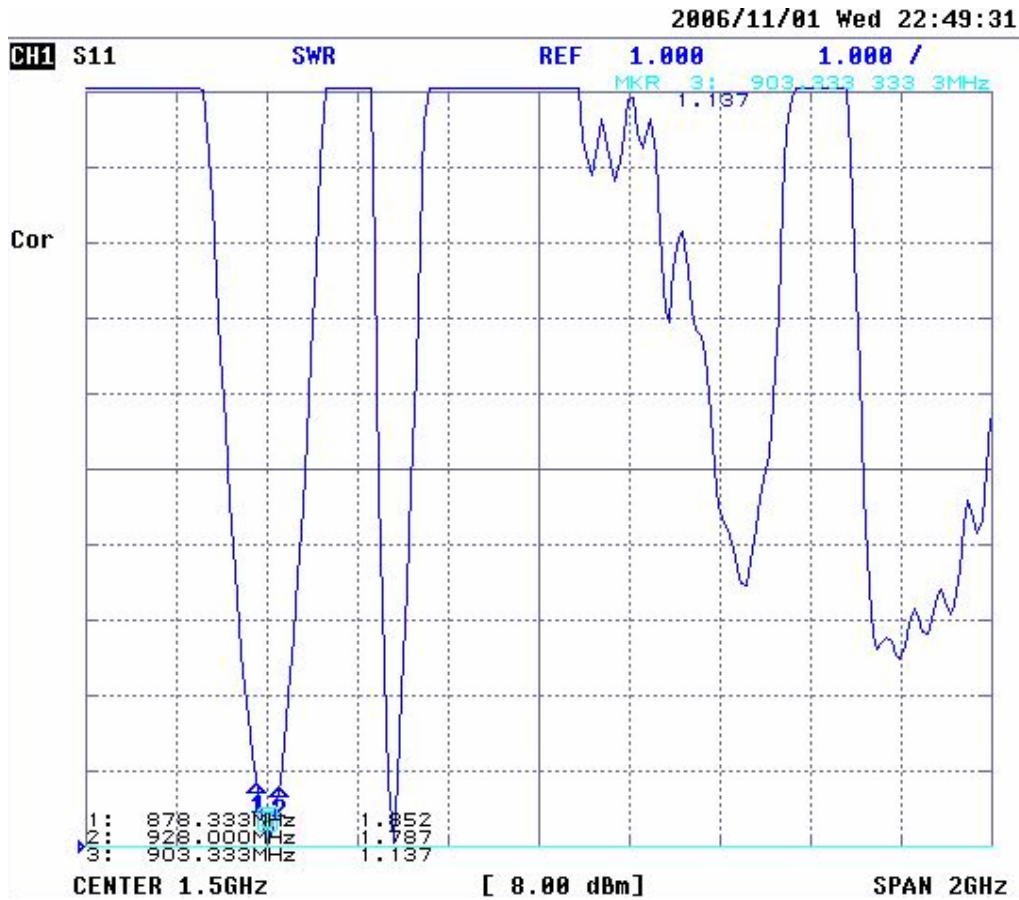
RETURN LOSS





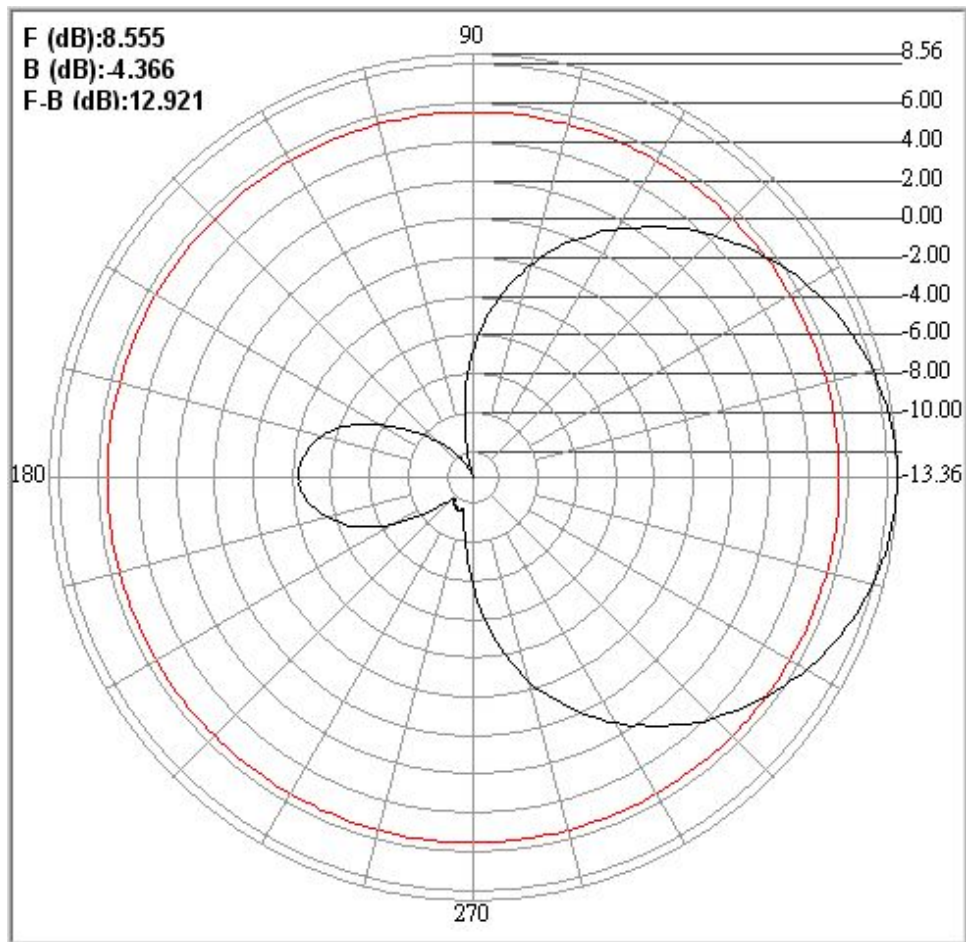
PRO-CELL CO., LTD.

SWR





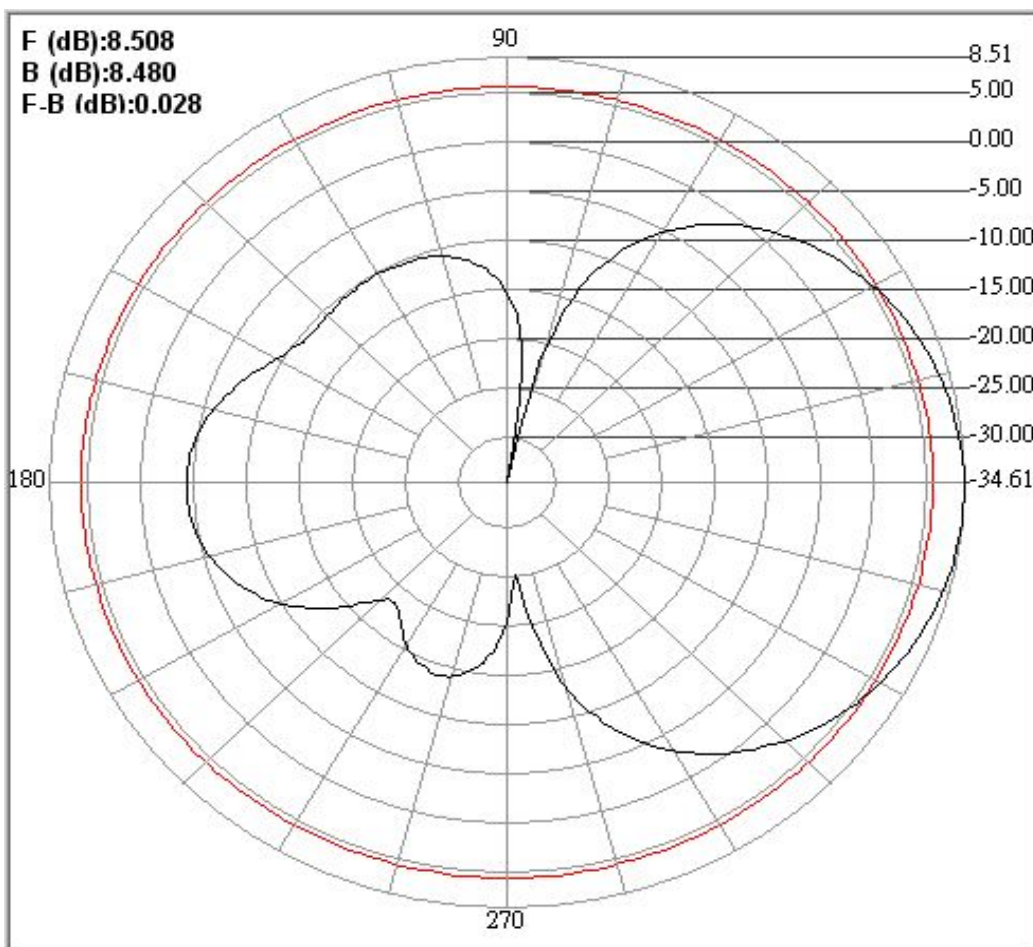
H-PLANE





PRO-CELL CO., LTD.

E-PLANE



PRO-CELL CO., LTD.

No.6, Lane 133, Sec.1, Guo-Ji Road, Ta-yuan Hsiang, Taoyuan, Taiwan. R.O.C.

Tel: +886-3-3858288

Fax: +886-3-3858289

E-mail: sales@antenna.com.tw

<http://www.antenna.com.tw>