



PRO-CELL CO., LTD.

SPECIFICATION FOR APPROVAL

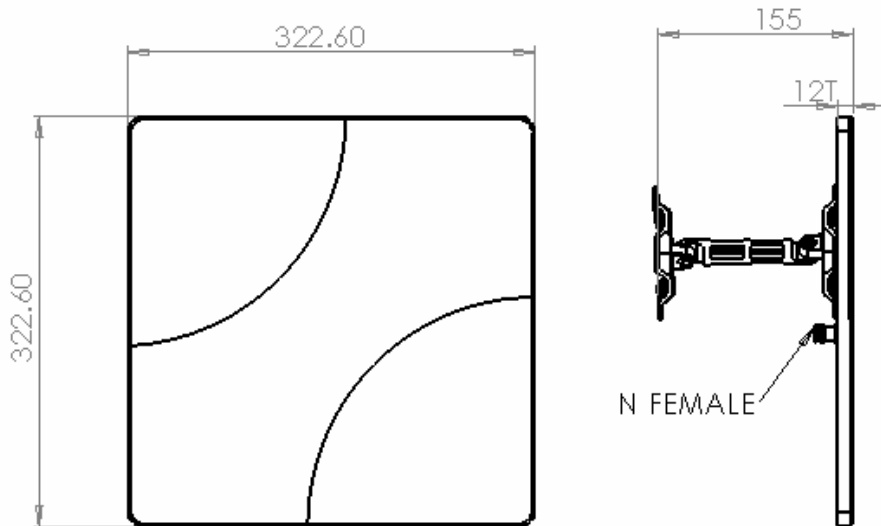
Customer :

Model No. : PA-Z02

Description : 5.1 ~ 5.8 GHz PANEL ANTENNA

Date : 2007/06/06

Rev : 1



Electrical Specifications:

Frequency Range :	5.1~ 5.8 GHz
VSWR :	≤ 2.0
Impedance :	50Ω ± 5Ω
Gain :	23 dBi
Polarization :	Vertical
Power Handling :	10 Watt
Beam Width :	H: 11.4 / E: 10.6

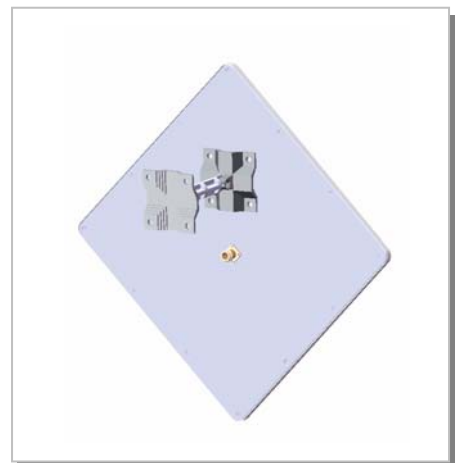
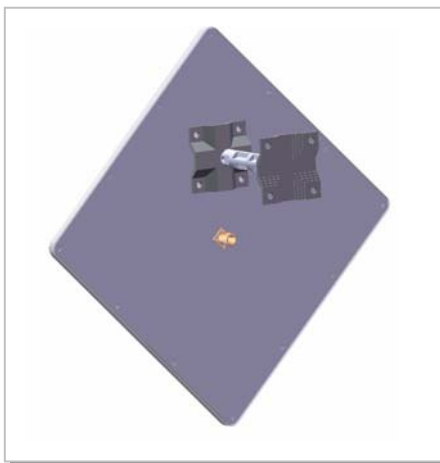
Mechanical Specifications:

Connector :	N Female
Operation Temp. :	-30°C ~ +60°C
Material :	Radome: ABS Mount: Zinc alloy
Dimension (L*W*H) :	322.6*322.6*12 mm
Weight :	1344g ± 20g (w/ mount)
Color :	WHITE



PRO-CELL CO., LTD.

3D Illustration



PRO-CELL CO., LTD.

No.6, Lane 133, Sec.1, Guo-Ji Road, Ta-yuan Hsiang, Taoyuan, Taiwan. R.O.C.

Tel: 886-3-3858288

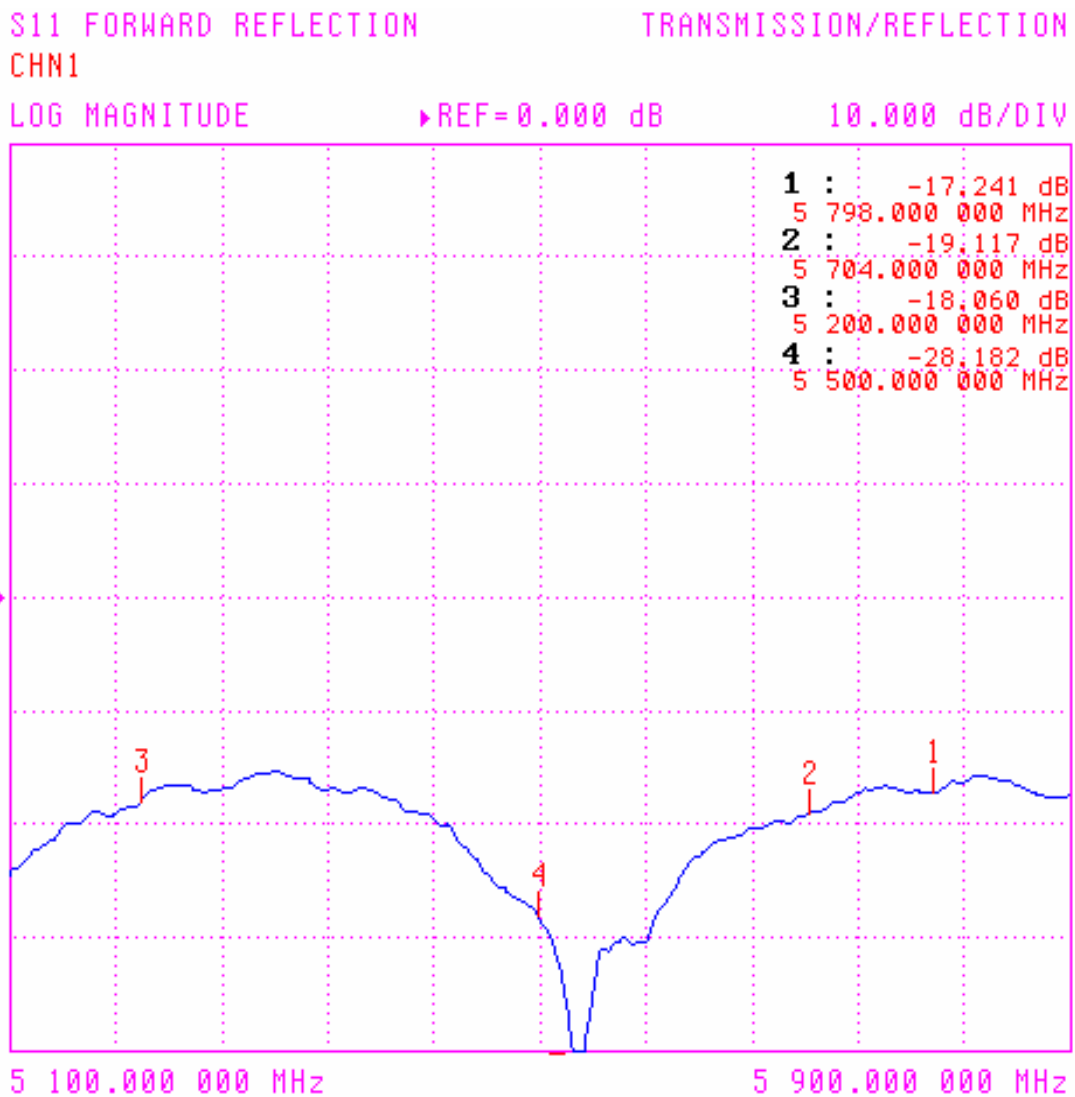
Fax: 886-3-3858289

E-mail: sales@antenna.com.tw

<http://www.antenna.com.tw>



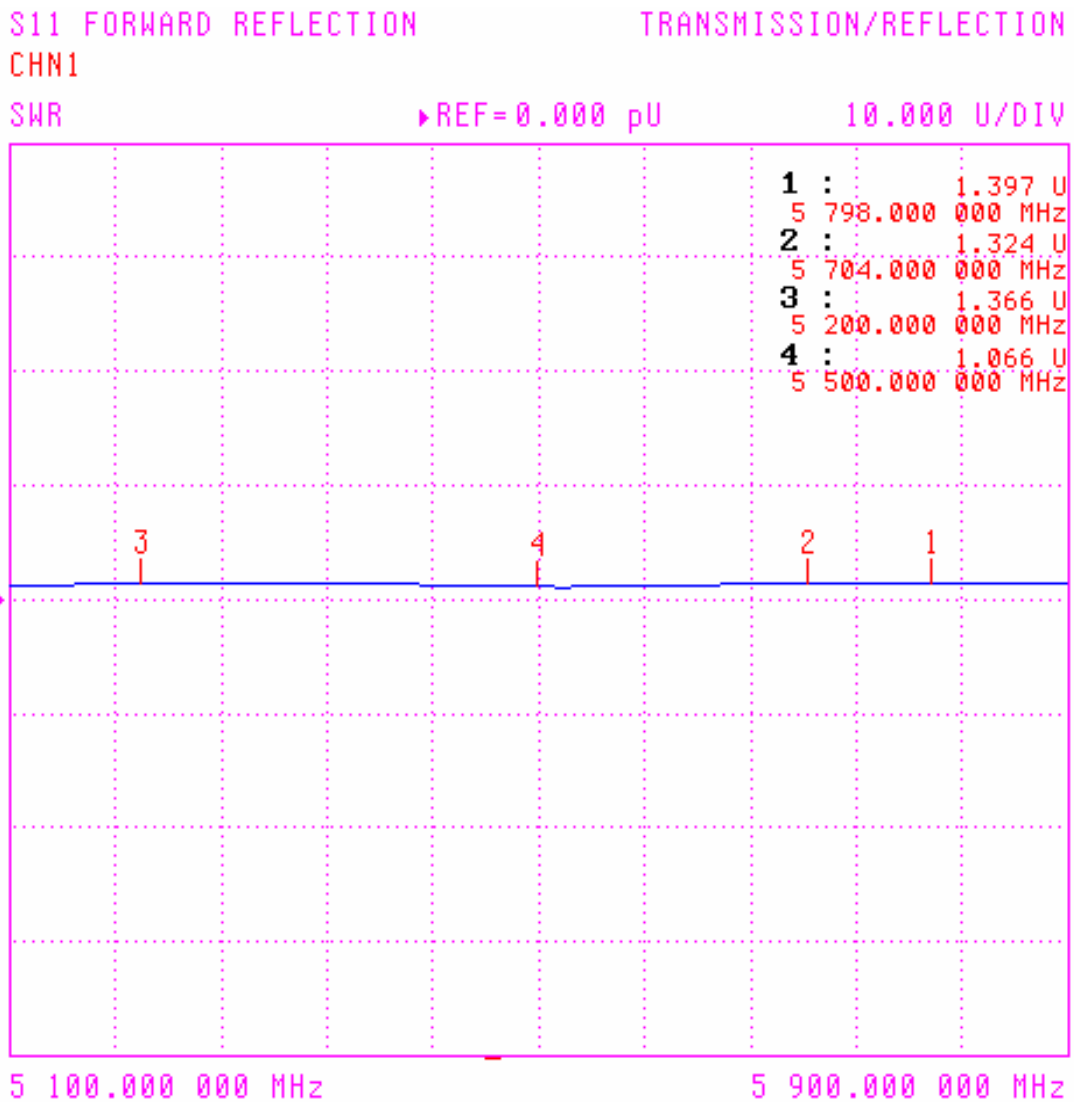
RETURN LOSS





PRO-CELL CO., LTD.

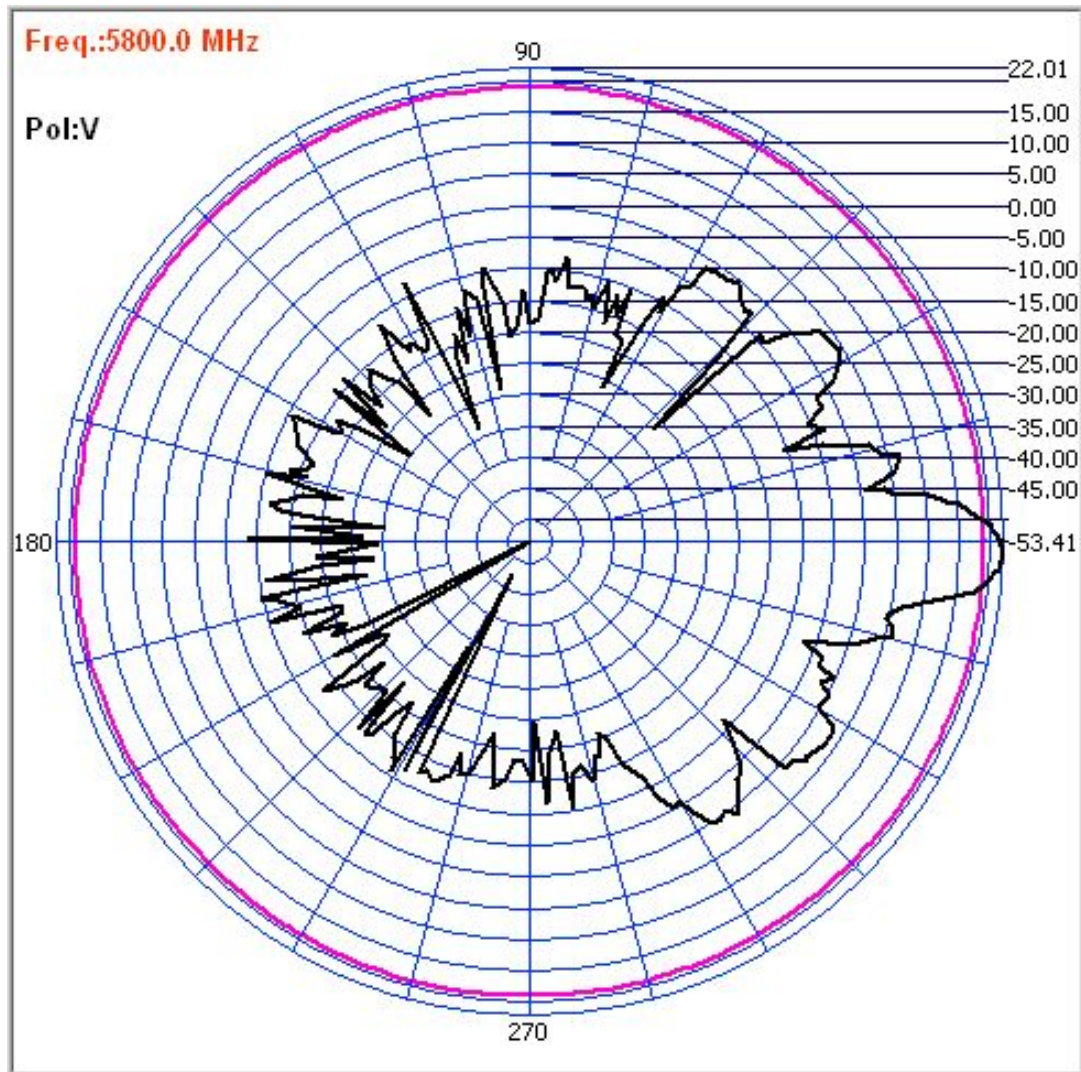
SWR





PRO-CELL CO., LTD.

H-PLANE



PRO-CELL CO., LTD.

No.6, Lane 133, Sec.1, Guo-Ji Road, Ta-yuan Hsiang, Taoyuan, Taiwan. R.O.C.

Tel: 886-3-3858288

Fax: 886-3-3858289

E-mail: sales@antenna.com.tw

<http://www.antenna.com.tw>



PRO-CELL CO., LTD.

E-PLANE

