



PRO-CELL CO., LTD.

SPECIFICATION FOR APPROVAL

Customer :

Model No. : PA-M03

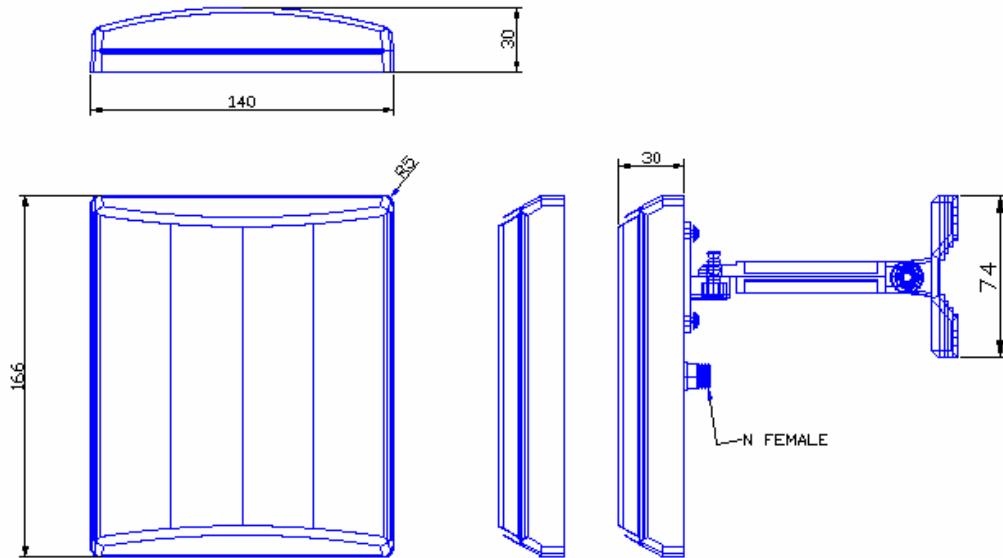
Description : 3.4~3.6GHz PANEL ANTENNA

Date : 2006/08/09

Rev : 1



PRO-CELL CO., LTD.



Electrical Specifications:

| | |
|-------------------|-------------------|
| Frequency Range : | 3.4~ 3.6GHz |
| VSWR : | ≤ 2.0 |
| Impedance : | 50Ω ± 5Ω |
| Gain : | 12 dBi |
| Polarization : | Vertical |
| Power Handling : | 10 Watt |
| Beam Width : | H: 29.9° / E: 31° |

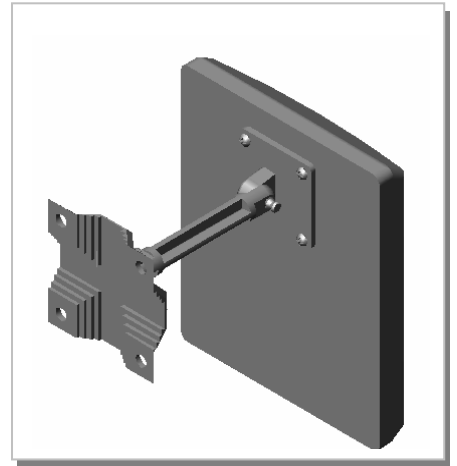
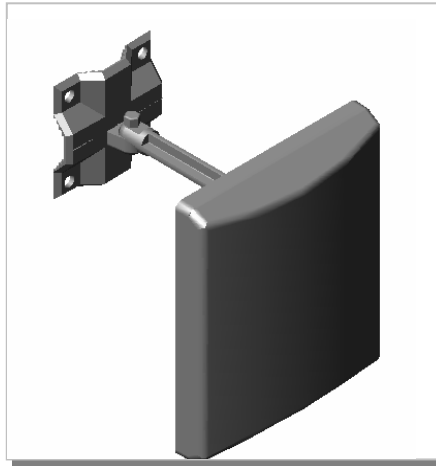
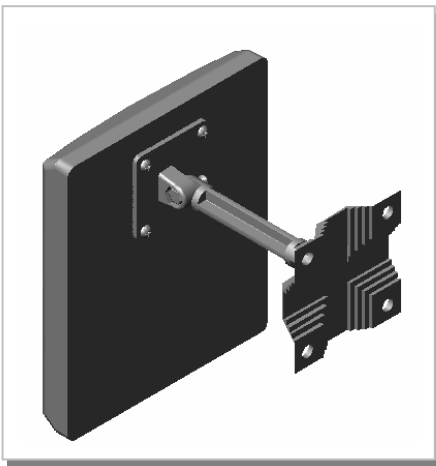
Mechanical Specifications:

| | |
|---------------------|----------------------------------|
| Connector : | N Female |
| Operation Temp. : | -30°C ~ +60°C |
| Material : | Radome: ABS Mount: Zinc Alloy |
| Dimension (L*W*H) : | 166*140*30 mm |
| Weight : | 370g ± 20g (w/ mount) |
| Color : | White |



PRO-CELL CO., LTD.

3D Illustration



PRO-CELL CO., LTD.

No.6, Lane 133, Sec.1, Guo-Ji Road, Ta-yuan Hsiang, Taoyuan, Taiwan. R.O.C.

Tel: 886-3-3858288

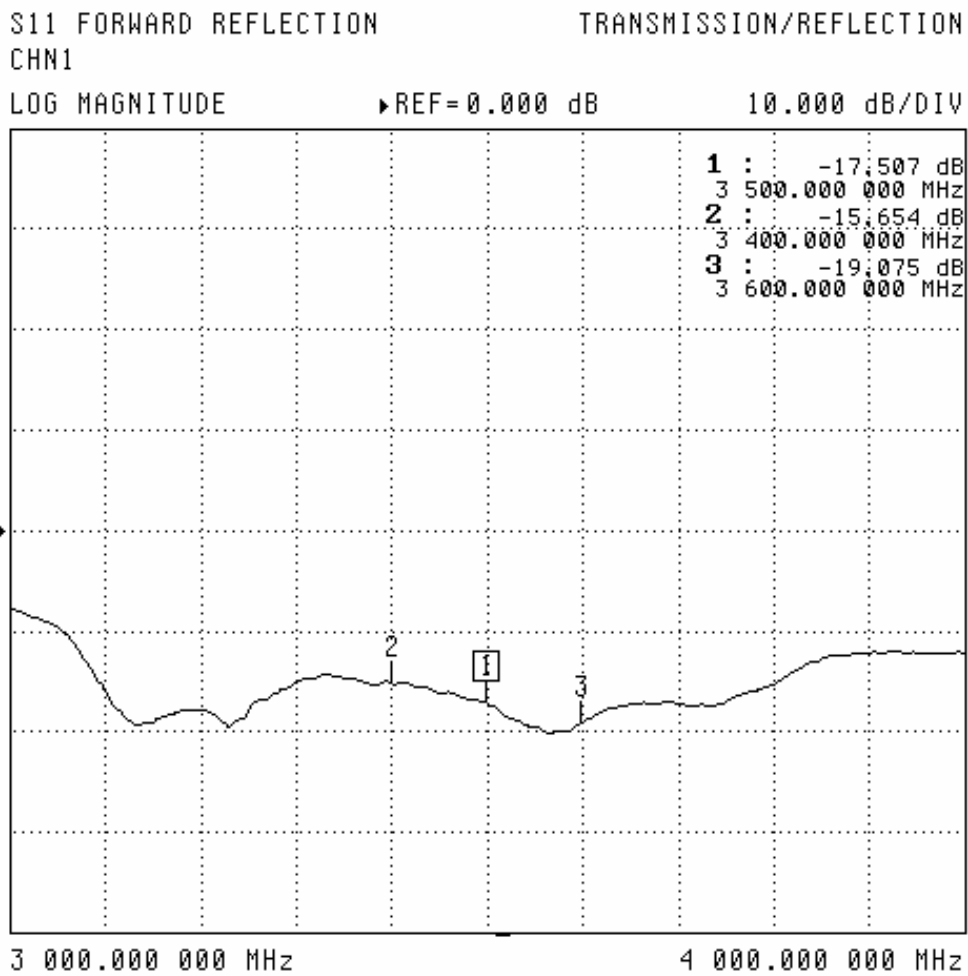
Fax: 886-3-3858289

E-mail: sales@antenna.com.tw

<http://www.antenna.com.tw>



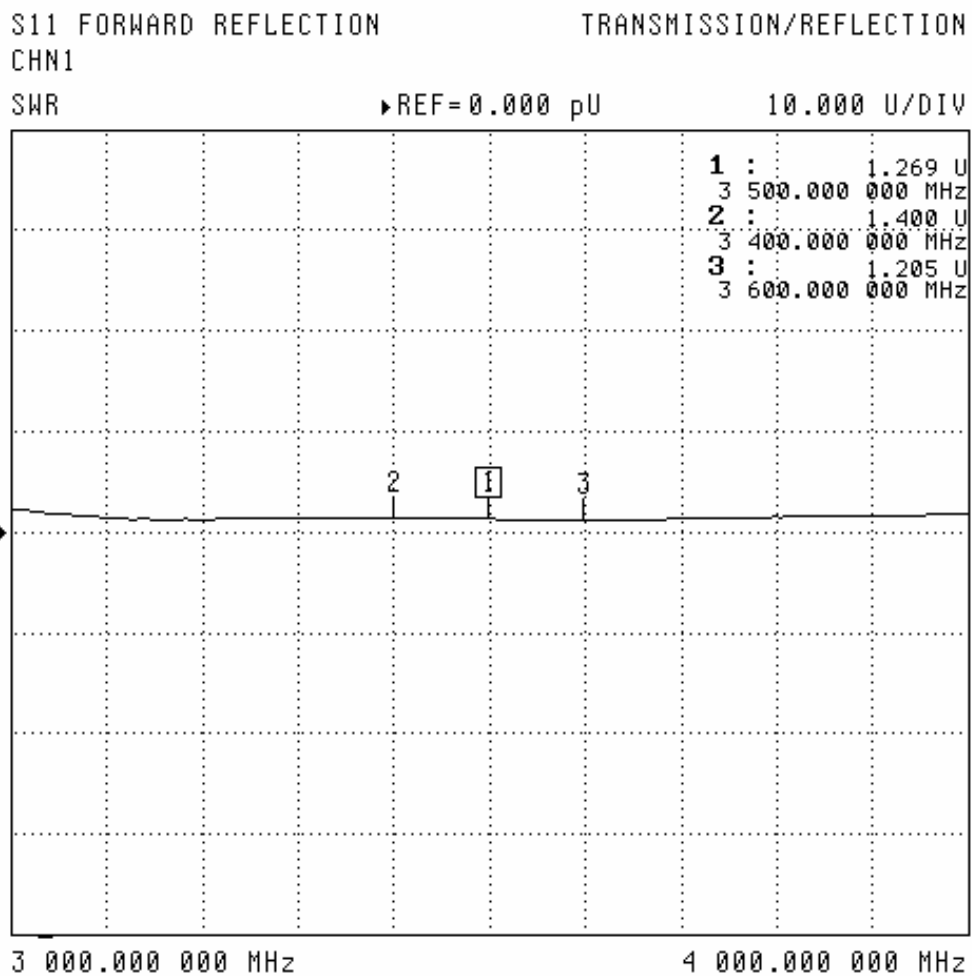
RETURN LOSS





PRO-CELL CO., LTD.

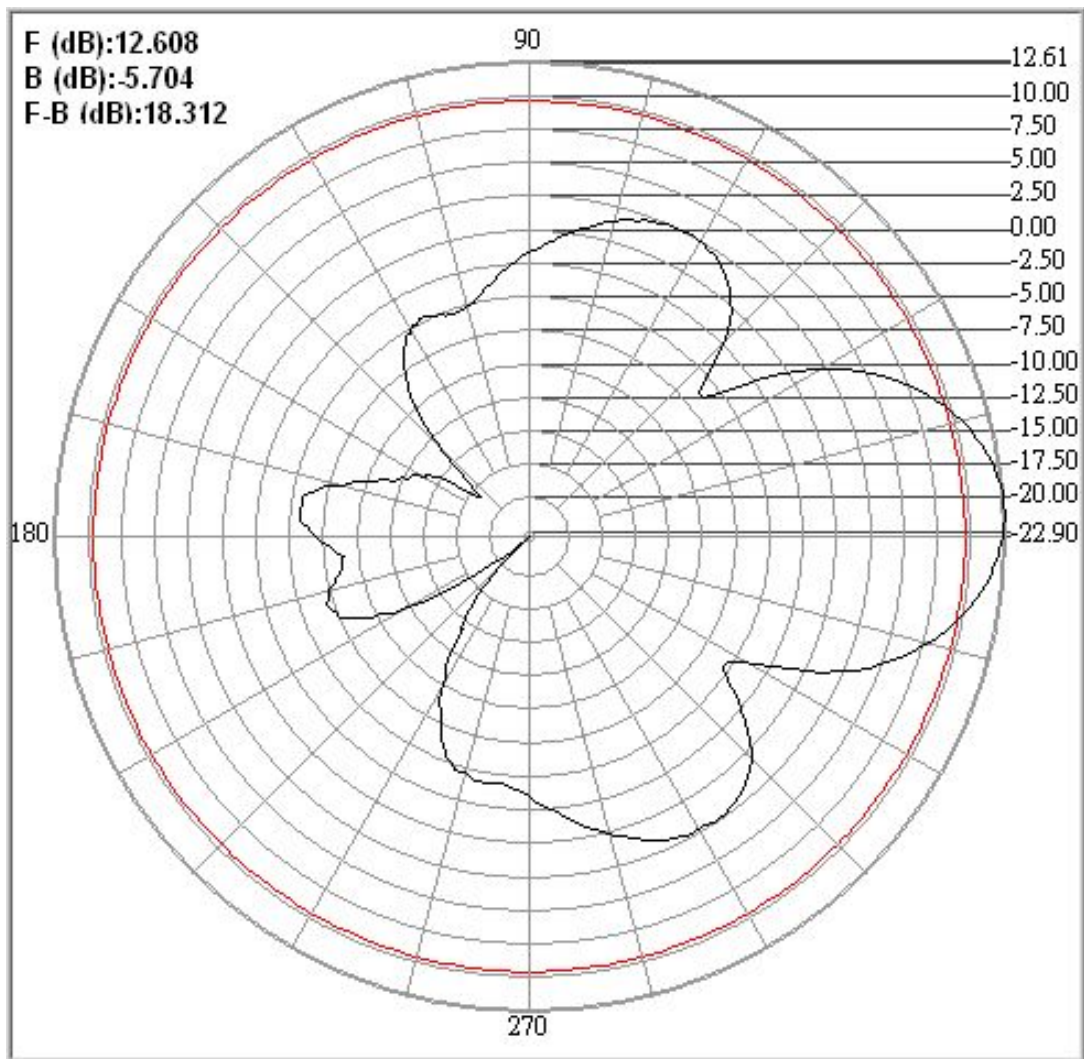
SWR





PRO-CELL CO., LTD.

H-PLANE



PRO-CELL CO., LTD.

No.6, Lane 133, Sec.1, Guo-Ji Road, Ta-yuan Hsiang, Taoyuan, Taiwan. R.O.C.

Tel: 886-3-3858288

Fax: 886-3-3858289

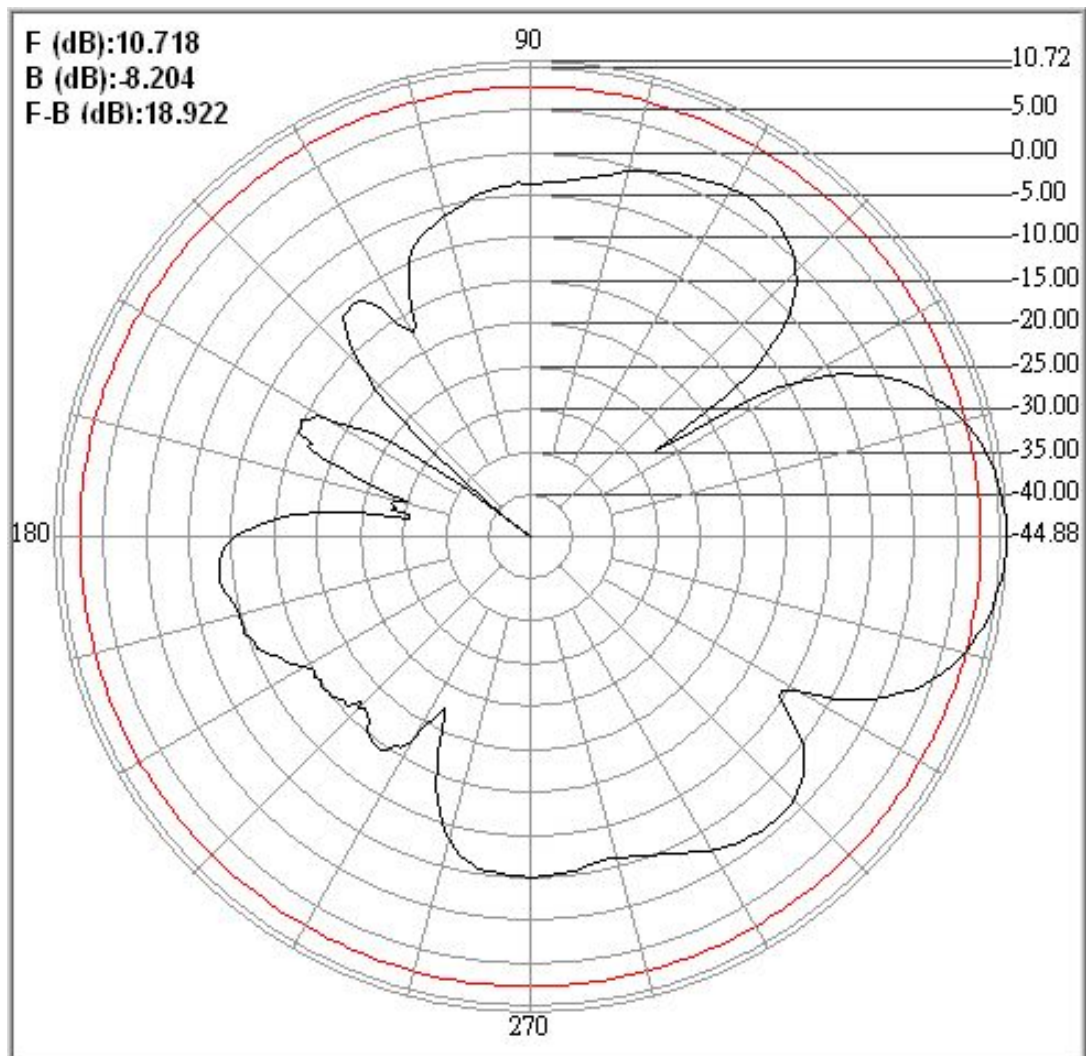
E-mail: sales@antenna.com.tw

<http://www.antenna.com.tw>



PRO-CELL CO., LTD.

E-PLANE



PRO-CELL CO., LTD.

No.6, Lane 133, Sec.1, Guo-Ji Road, Ta-yuan Hsiang, Taoyuan, Taiwan. R.O.C.

Tel: 886-3-3858288

Fax: 886-3-3858289

E-mail: sales@antenna.com.tw

<http://www.antenna.com.tw>