



PRO-CELL CO., LTD.

SPECIFICATION FOR APPROVAL

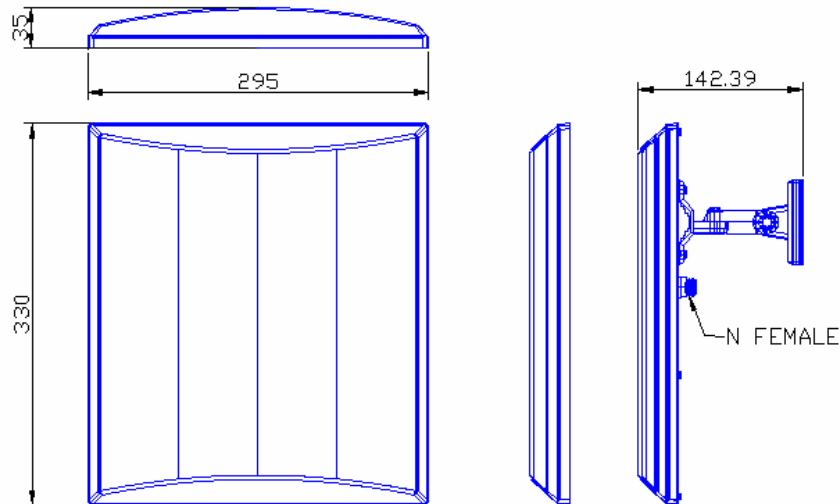
Customer :

Model No. : PA-L02

Description : 5.1 ~ 5.835GHz PANEL ANTENNA

Date : 2008/01/07

Rev : 3



Electrical Specifications:

Frequency Range :	5.1~ 5.835GHz
VSWR :	≤ 2.0
Impedance :	50Ω ± 5Ω
Gain :	20 dBi
Polarization :	Vertical
Power Handling :	10 Watt
Beam Width :	H: 15.9° / E: 14.9°

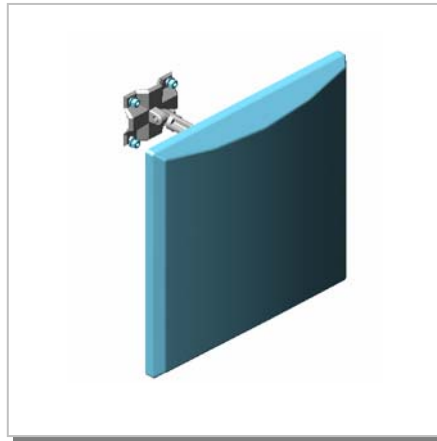
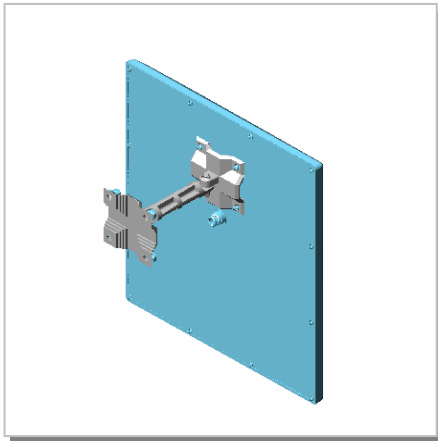
Mechanical Specifications:

Connector :	N Female
Operation Temp. :	-30°C ~ +60°C
Material :	Radome: ABS Mount: Zinc Alloy
Dimension (L*W*H) :	330*295*35 mm
Weight :	1344g ± 20g (w/ mount)
Color :	White



PRO-CELL CO., LTD.

3D Illustration



PRO-CELL CO., LTD.

No.6, Lane 133, Sec.1, Guo-Ji Road, Ta-yuan Hsiang, Taoyuan, Taiwan. R.O.C.

Tel: 886-3-3858288

Fax: 886-3-3858289

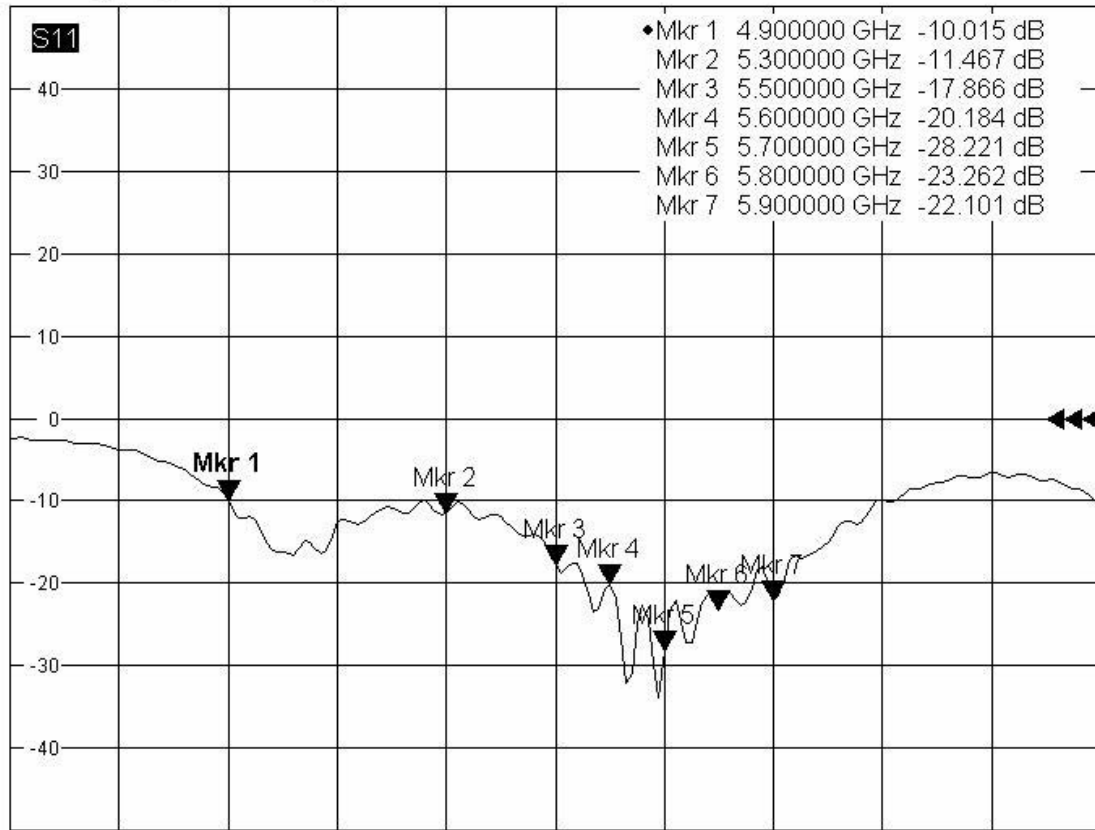
E-mail: sales@antenna.com.tw

<http://www.antenna.com.tw>



RETURN LOSS

Trc1 S11 dB Mag 10 dB / Ref 0 dB Cal
Trc9 S21 dB Mag 5 dB / Ref -60 dB Invisible
Mem10[Trc9] S21 dB Mag 5 dB / Ref -60 dB Invisible



Ch1 Center 5.5 GHz Pwr 10 dBm Span 2 GHz
1/7/2008, 10:12 AM



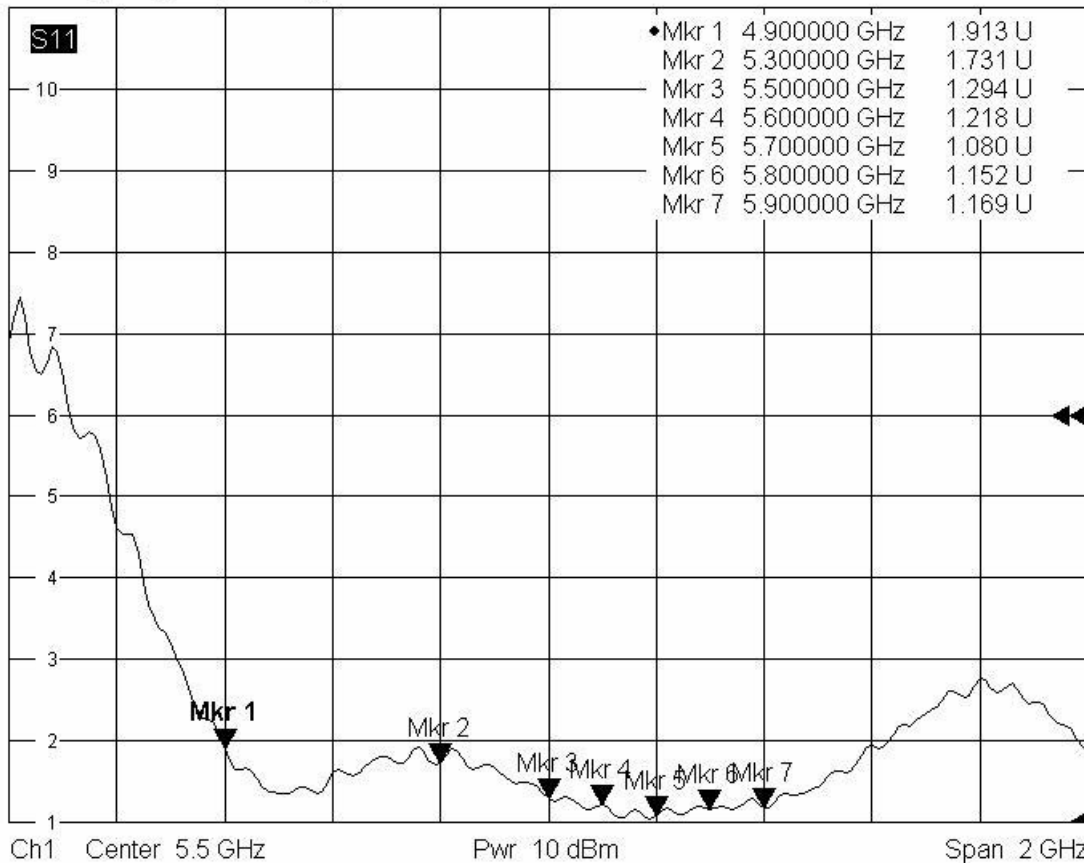
PRO-CELL CO., LTD.

SWR

Trc1 S11 SWR 1 U / Ref 1 U Cal
Trc9 S21 dB Mag 5 dB / Ref -60 dB Invisible
Mem10[Trc9] S21 dB Mag 5 dB / Ref -60 dB Invisible



1

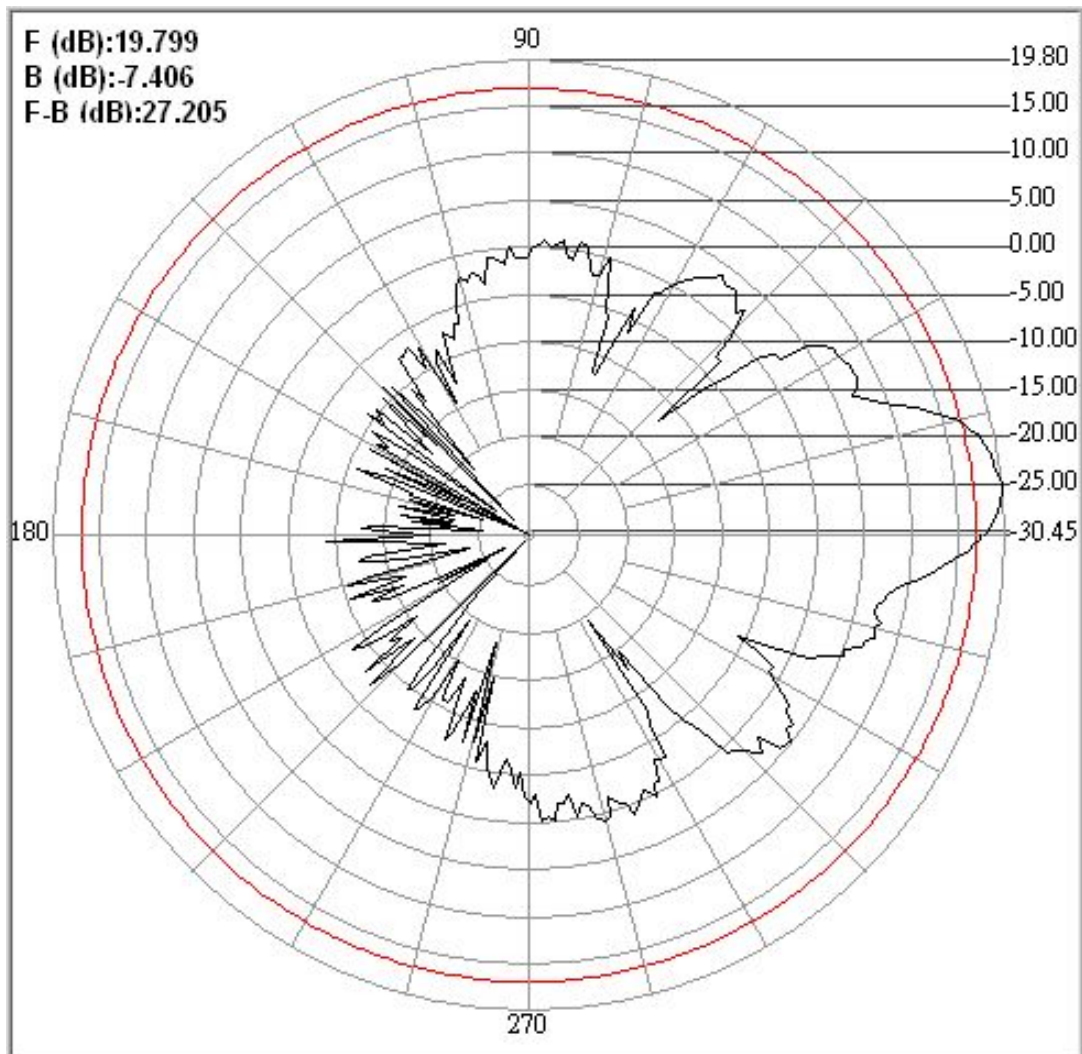


1/7/2008, 10:12 AM



PRO-CELL CO., LTD.

H-PLANE



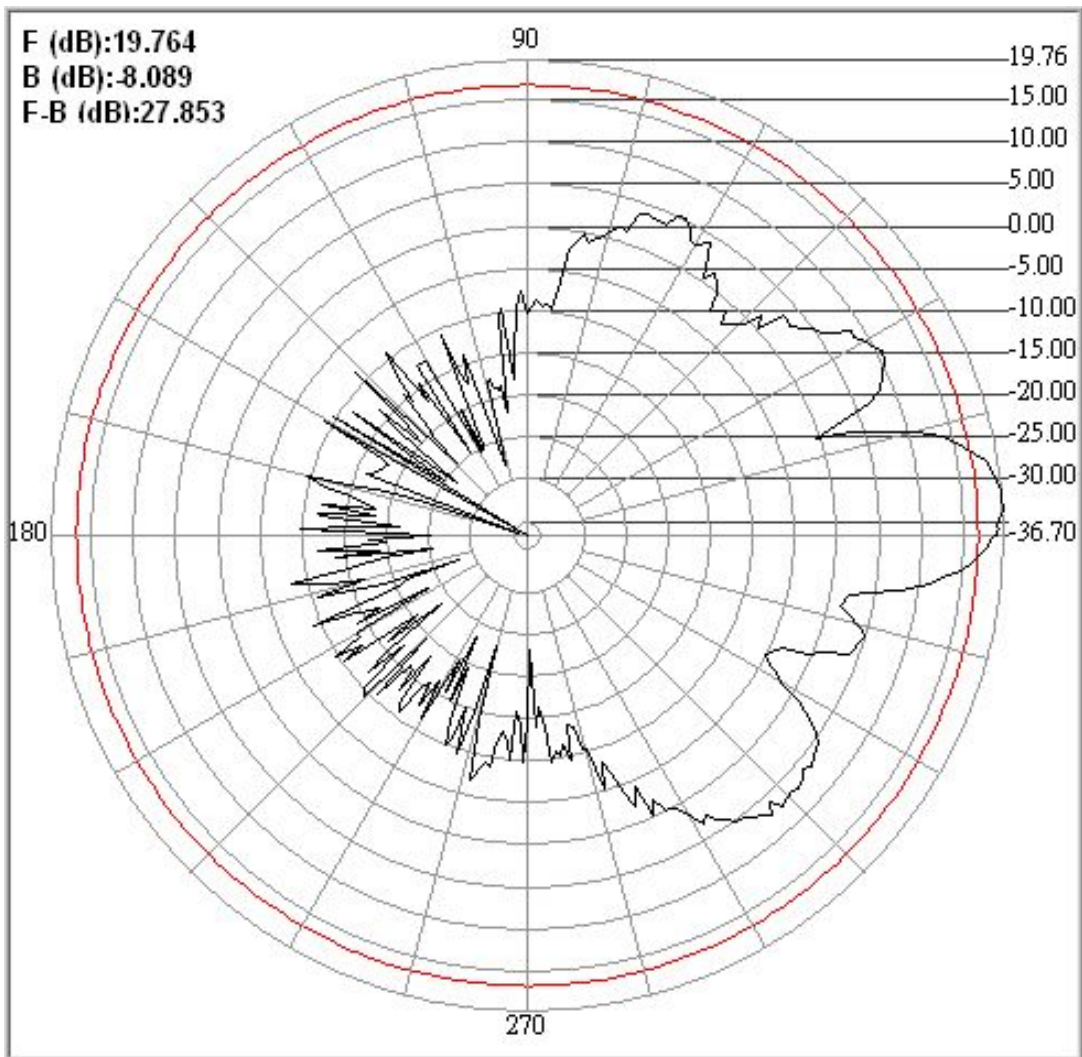
PRO-CELL CO., LTD.

No.6, Lane 133, Sec.1, Guo-Ji Road, Ta-yuan Hsiang, Taoyuan, Taiwan. R.O.C.
Tel: 886-3-3858288 Fax: 886-3-3858289
E-mail: sales@antenna.com.tw http://www.antenna.com.tw



PRO-CELL CO., LTD.

E-PLANE



PRO-CELL CO., LTD.

No.6, Lane 133, Sec.1, Guo-Ji Road, Ta-yuan Hsiang, Taoyuan, Taiwan. R.O.C.
Tel: 886-3-3858288 Fax: 886-3-3858289
E-mail: sales@antenna.com.tw <http://www.antenna.com.tw>