



PRO-CELL CO., LTD.

SPECIFICATION FOR APPROVAL

Customer :

Model No. : OCJ-001

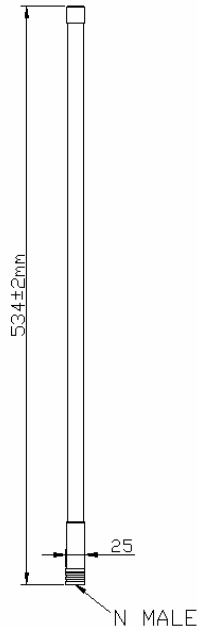
Description : 1920~2170MHz OMNI ANTENNA

Date : 2008/08/28

Rev : 1



PRO-CELL CO., LTD.



Electrical Specifications:

Frequency Range :	1920~2170MHz
VSWR :	≤ 2.0
Impedance :	50Ω ± 5Ω
Gain :	8 dBi
Polarization :	Vertical
Power Handling :	10 Watt
Beam Width :	H: 360° / E: 17.3°

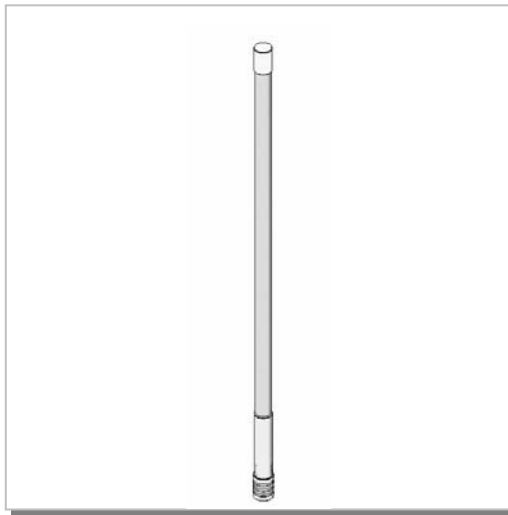
Mechanical Specifications:

Connector :	N Male
Operation Temp. :	-30°C ~ +60°C
Material :	Radome: Fiberglass Base: Copper
Dimension (L*W*H) :	534*Ø25 mm
Weight :	248g ± 10g
Color :	WHITE



PRO-CELL CO., LTD.

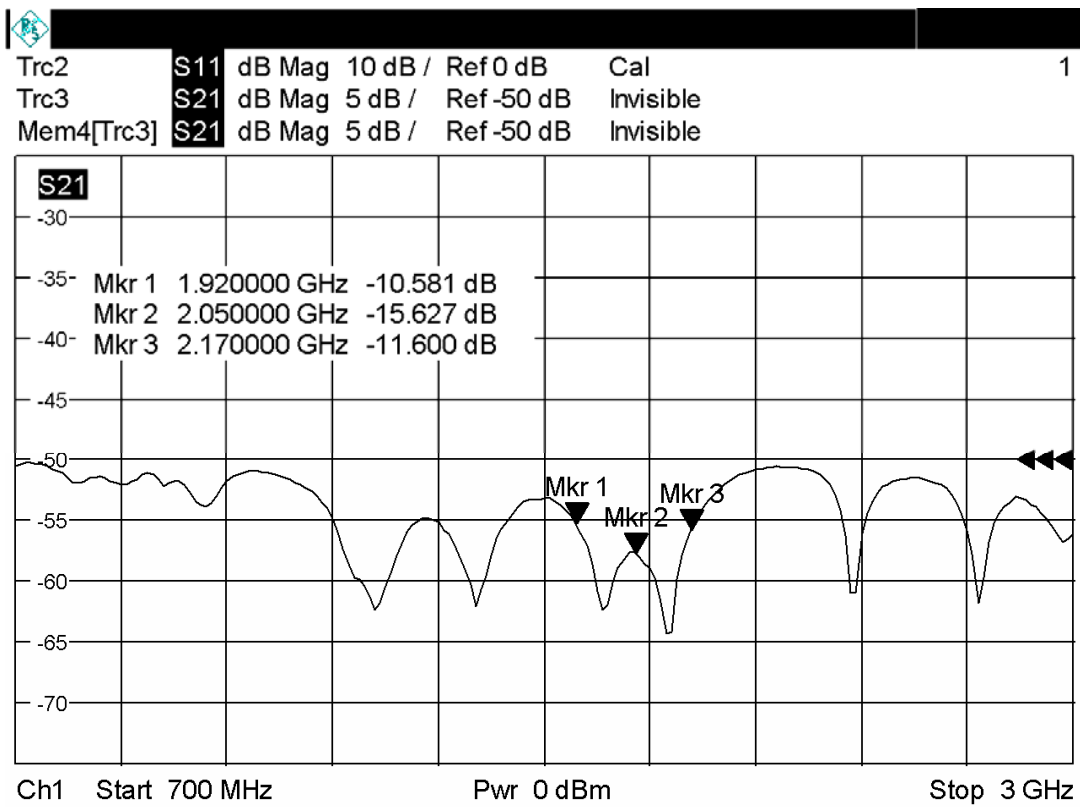
3D Illustration





PRO-CELL CO., LTD.

RETURN LOSS

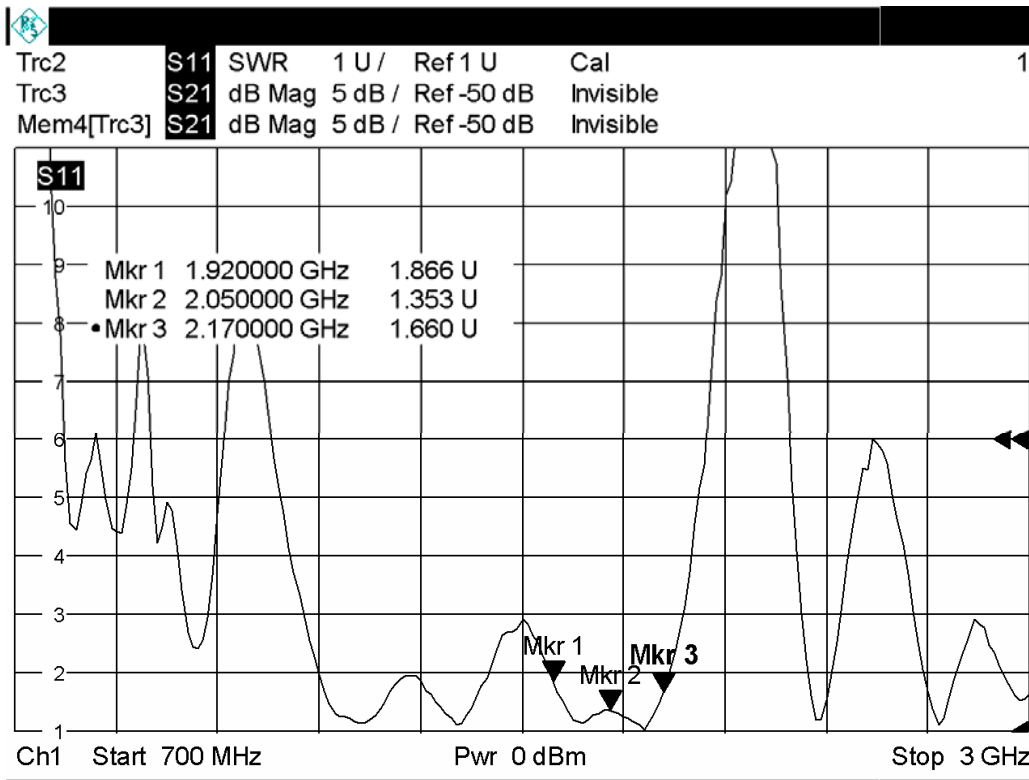


Date: 21.AUG.2008 06:00:58



PRO-CELL CO., LTD.

SWR

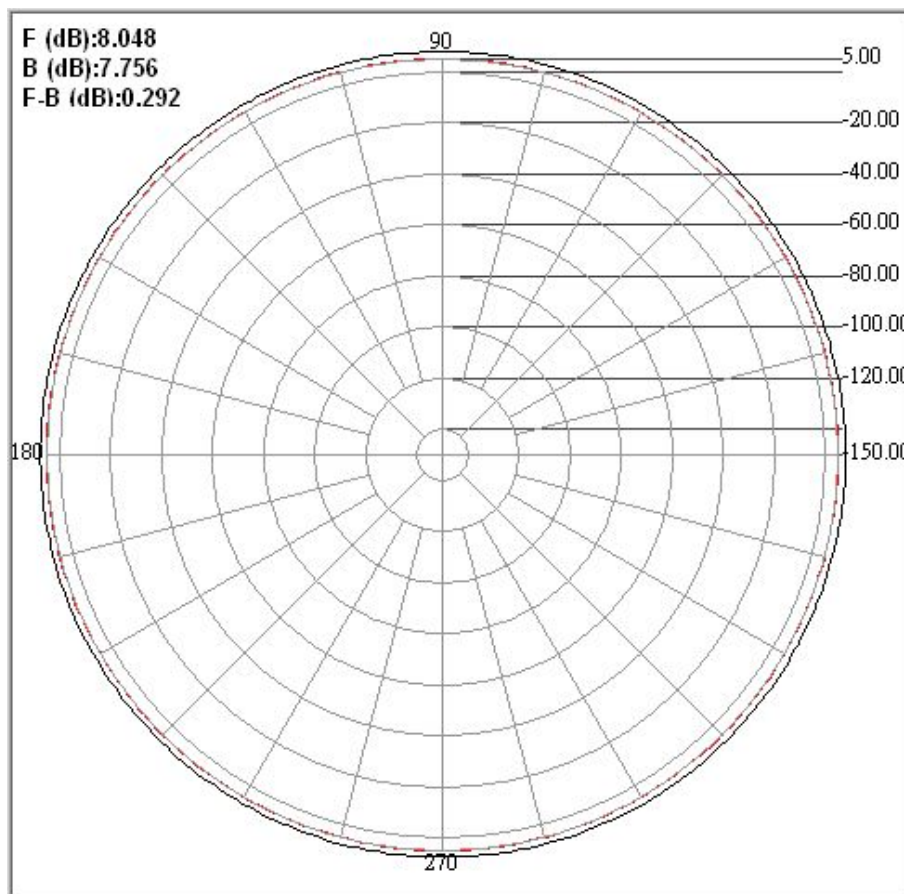


Date: 21.AUG.2008 06:01:23



PRO-CELL CO., LTD.

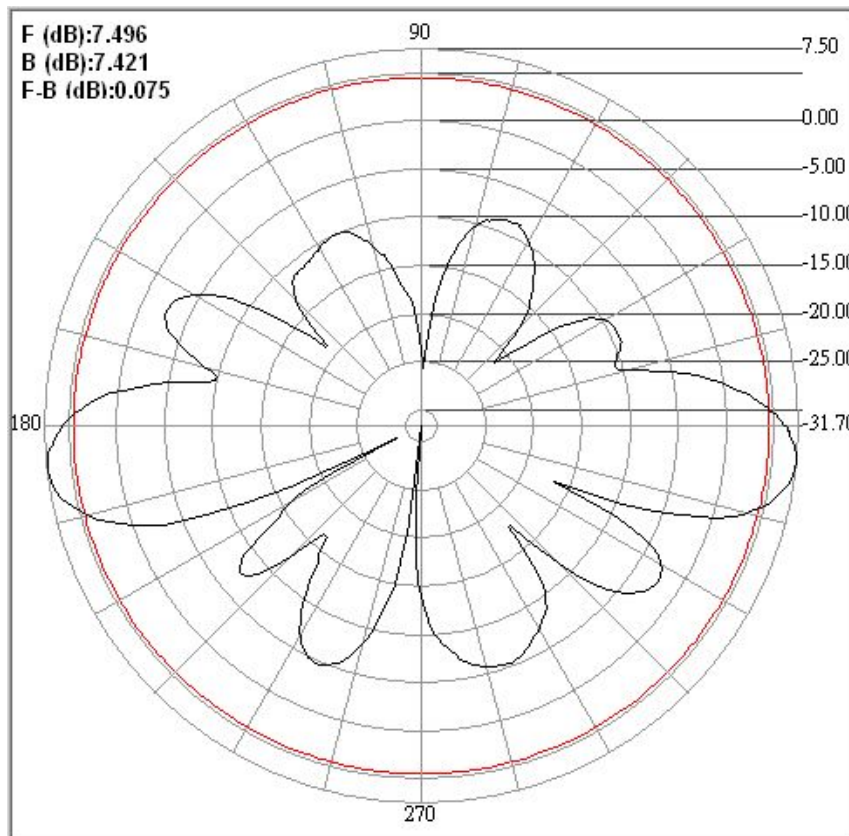
H-PLANE





PRO-CELL CO., LTD.

E-PLANE



PRO-CELL CO., LTD.

No.6, Lane 133, Sec.1, Guo-Ji Road, Ta-yuan Hsiang, Taoyuan, Taiwan. R.O.C.

Tel: +886-3-3858288

Fax: +886-3-3858289

E-mail: sales@antenna.com.tw

<http://www.antenna.com.tw>